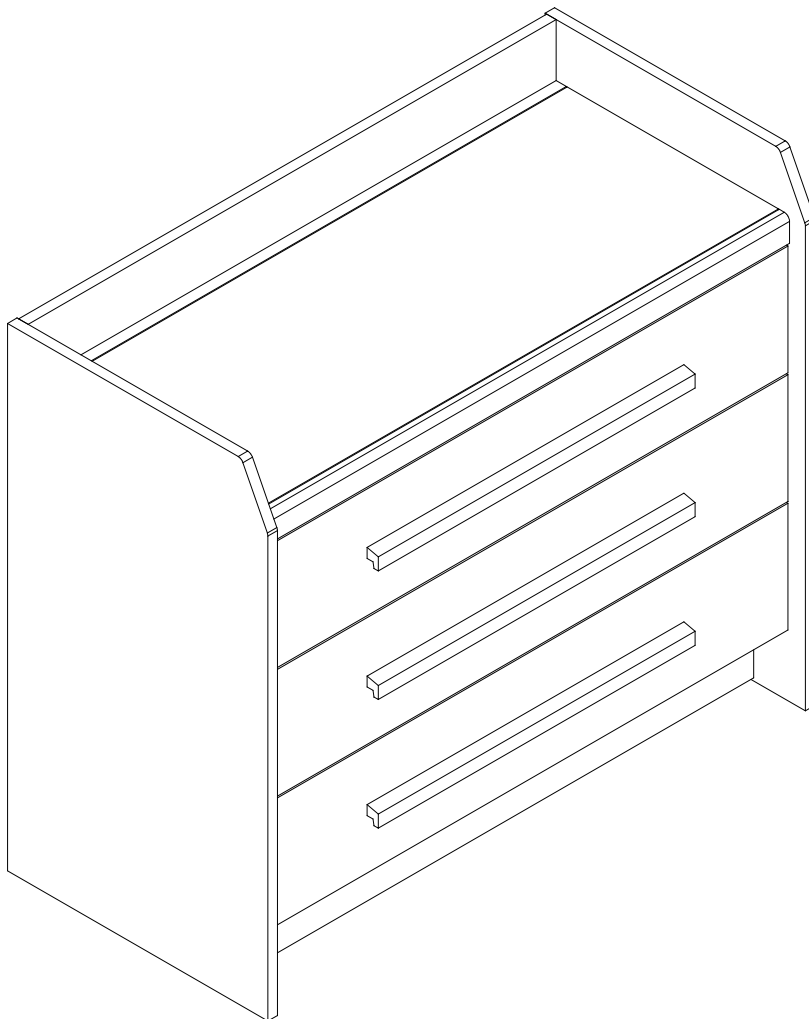




# Boori Urbane Omni 3 Drawer Dresser

## Assembly Instructions



**IMPORTANT:**  
THE ASSEMBLY OF THIS PRODUCT  
REQUIRES TWO PEOPLE

**IMPORTANT:**  
PLEASE READ THE INSTRUCTIONS CAREFULLY AND KEEP FOR FUTURE REFERENCE

Read all instructions BEFORE assembly and USE of the product. KEEP INSTRUCTIONS FOR FUTURE USE.

# \*IMPORTANT, RETAIN FOR FUTURE REFERENCE\* PLEASE READ CAREFULLY

Boori Australia Pty Ltd  
18-20 Charles Street  
St. Marys Sydney NSW  
2760 Australia  
Ph: 61 2 9833 3769  
Fax: 61 2 9673 4240

Boori (UK) Ltd  
Unit 1, Transigo  
Gables Way  
Thatcham  
RG19 4ZA  
Ph: (44) 016 3529 5670  
Fax: (44) 016 3587 7552

Boori USA LLC  
20 Chapin Road, Suite 1001  
Po Box 406  
Pine Brook, NJ 07058  
Ph: +1 973 577 6933  
Fax: +1 973 577 6934

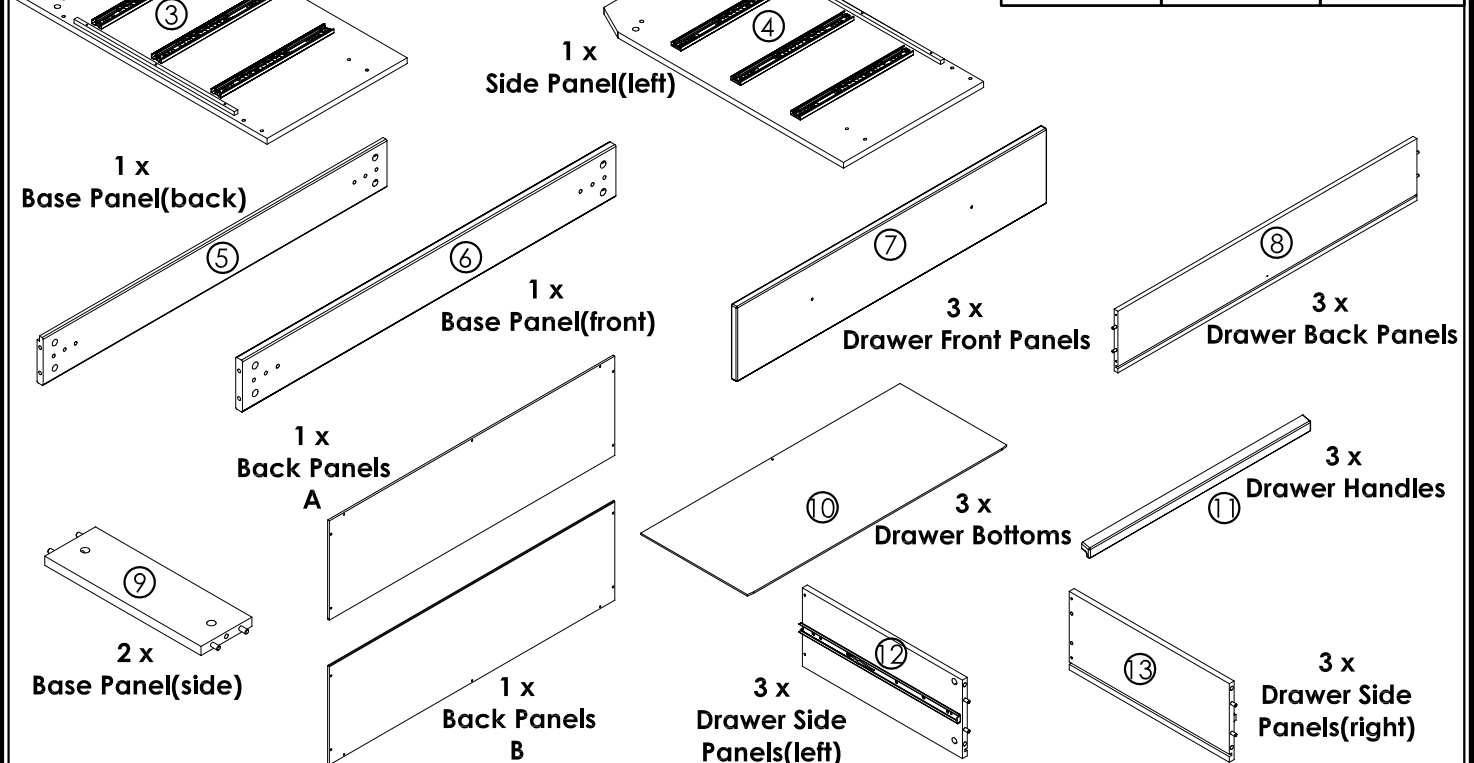
ブーリジャパン(株)  
〒541-0057  
大阪府大阪市中央区北久宝寺町  
4-2-10  
Ph : 06-4963-3939  
Fax : 06-4963-3900  
E-mail : info@boori.co.jp

## Instructions for Boori Urbane Omni 3 Drawer Dresser (BU-OM3D)

### Hardware and Parts List

2 x Allen Keys	20 X 42mm Connecting bolts	20 X Ø15mm Excenter fittings	6 X 30mm Connecting bolts	2 X 40mm Connecting bolts	12 X 30mm Self tapping screws	14 x 16mm Self tapping screws	3 X 27.5mm Connecting bolts	1 X Wall strap
	<b>A</b> 	<b>B</b> 	<b>C</b> 	<b>D</b> 	<b>E</b> 	<b>F</b> 	<b>G</b> 	<b>K</b> 

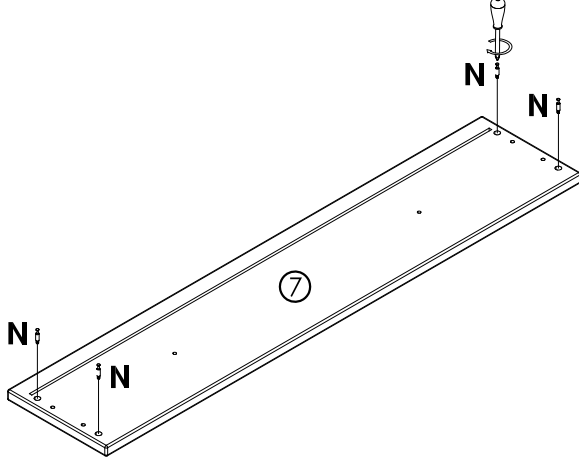
1 x Back Panel Top End 	1 x Top Panel 	3 x 16mm Self tapping screws	12 X 28.5mm Connecting bolts	12 X Ø12mm Excenter fittings
<b>H</b> 	<b>N</b> 	<b>J</b> 		



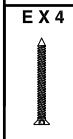
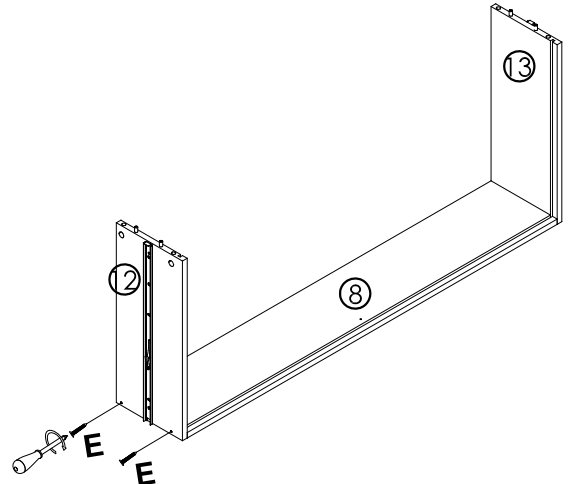
# ASSEMBLY INSTRUCTIONS

## Step 1: Screws into the Drawer Front Panel.

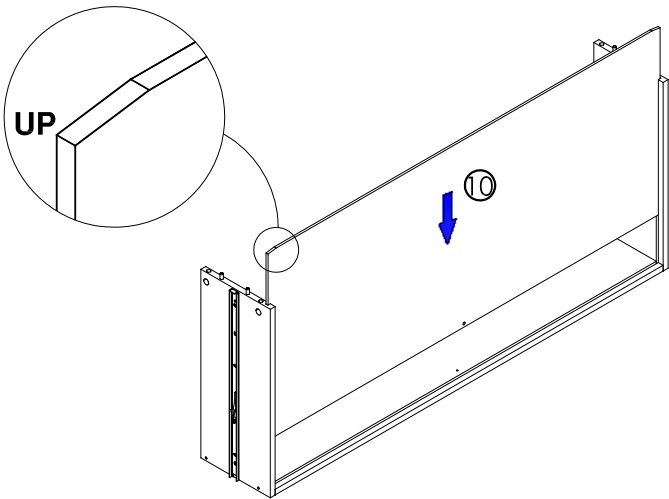
(Not supplied)



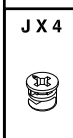
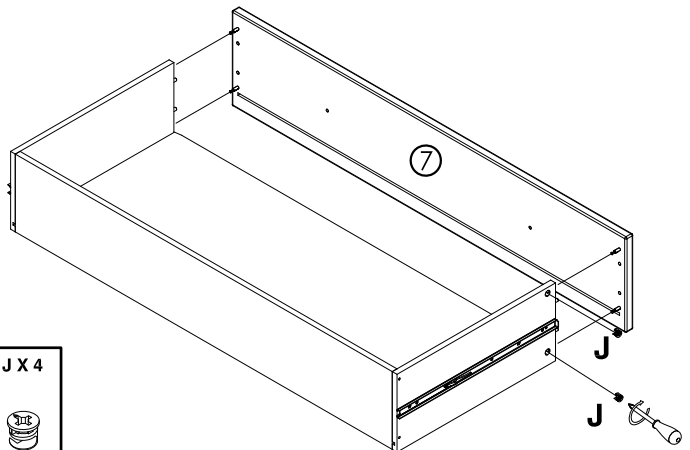
## Step 2: Assemble Drawer Back Panel and Side Panels.



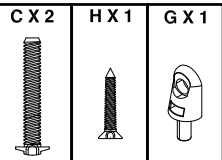
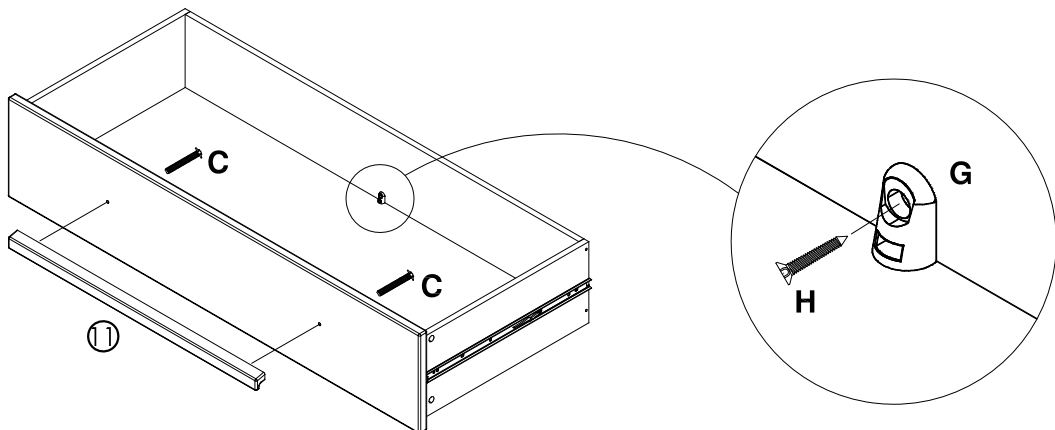
## Step 3: Insert the Drawer Bottom.



## Step 4: Assemble Drawer Front Panel.



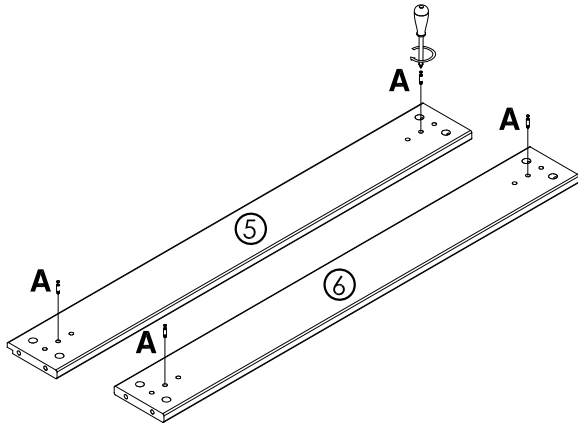
## Step 5: Attach Handles.



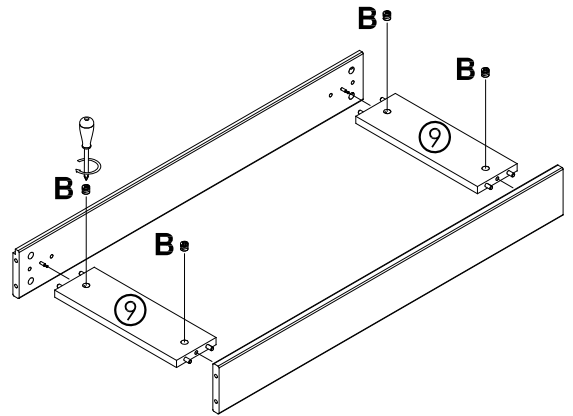
**⚠ Assemble in the same way the other two Drawers.**

# ASSEMBLY INSTRUCTIONS

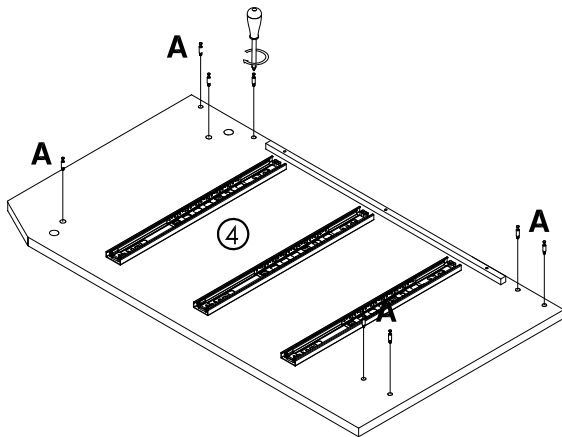
**Step 6:** Screws into the **Base back Panel** ⑤ and the **Base front Panel** ⑥.



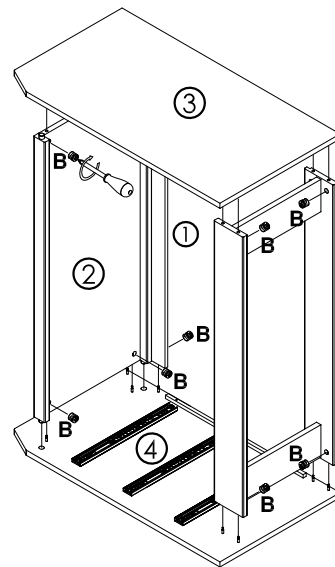
**Step 7:** Assemble **Base Panels** (back, front and side).



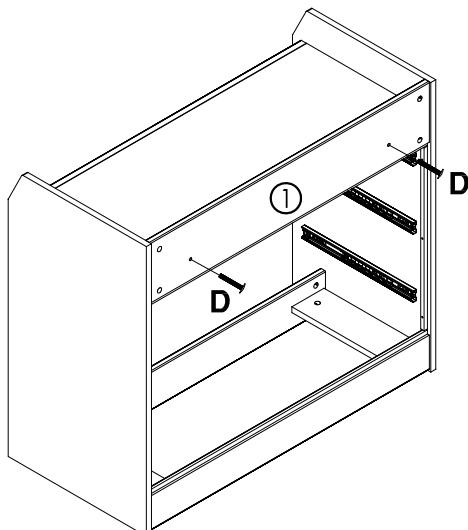
**Step 8:** Screws into the both **Side Panels**.



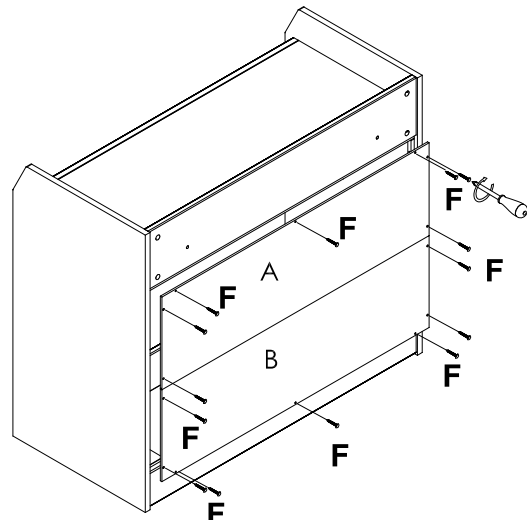
**Step 9:** Assemble the **Drawer Dresser body**.



**Step 10:** Attach the **Back Panel Top End**.

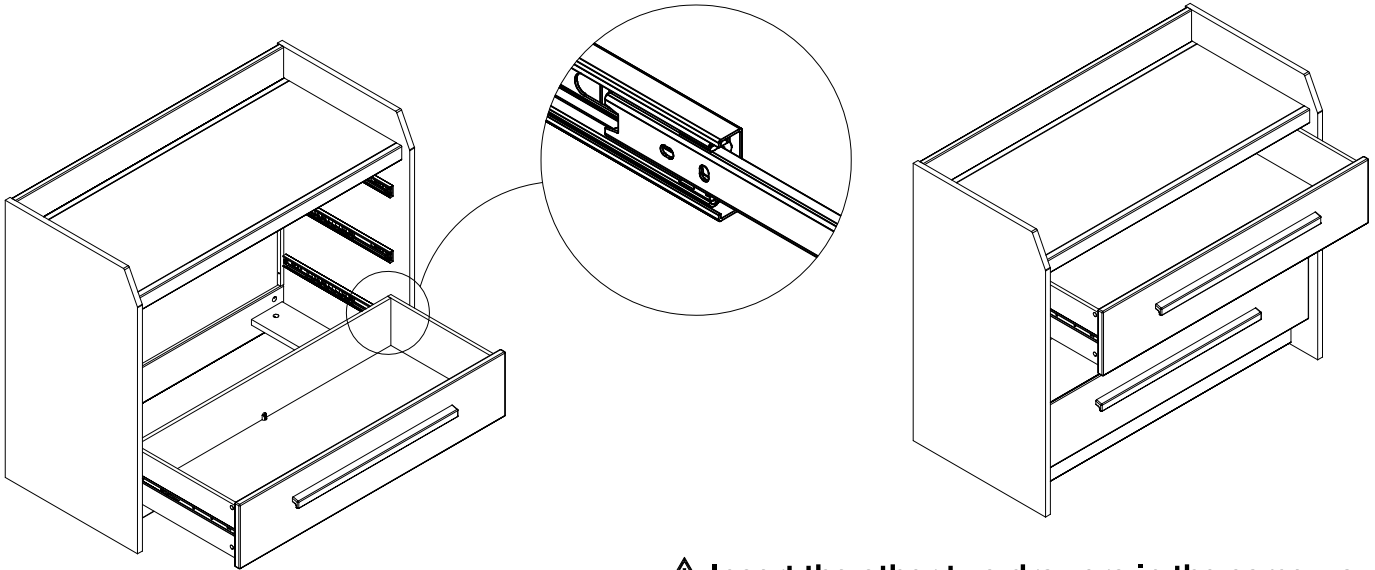


**Step 11:** Attach the two **Back Panels**.



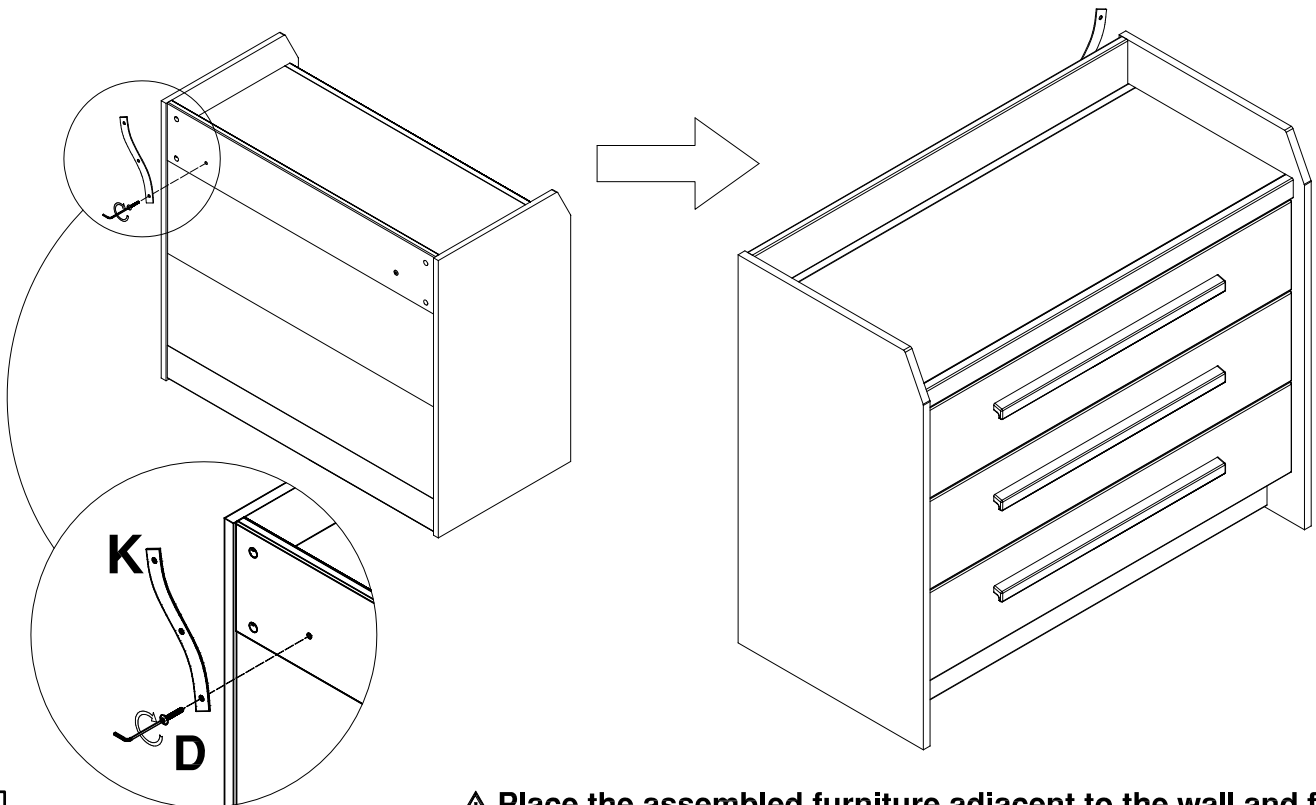
## ASSEMBLY INSTRUCTIONS

**Step 12:** Insert **drawers** into the chest.



⚠ Insert the other two drawers in the same way.

**Step 13:** Detach either of **2 x D** connecting bolt, attach the **Wall strap** to the drawer dresser. Fix to the wall.



⚠ Place the assembled furniture adjacent to the wall and fix to the wall using the appropriate screw for that wall type. If you are in any doubt about the correct type of fittings to use seek professional advice.

K x 1



### Maintenance of your Boori Country Furniture

- \* TO CLEAN YOUR FURNITURE USE A SOFT CLOTH DAMPENED WITH WATER
- \* DO NOT USE STRONG HOUSEHOLD CLEANERS
- \* AVOID CONTACT WITH SHARP OBJECTS
- \* WHEN MOVING YOUR FURNITURE DO NOT DRAG, ALWAYS LIFT AND PLACE IN POSITION