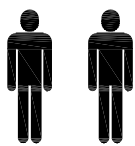
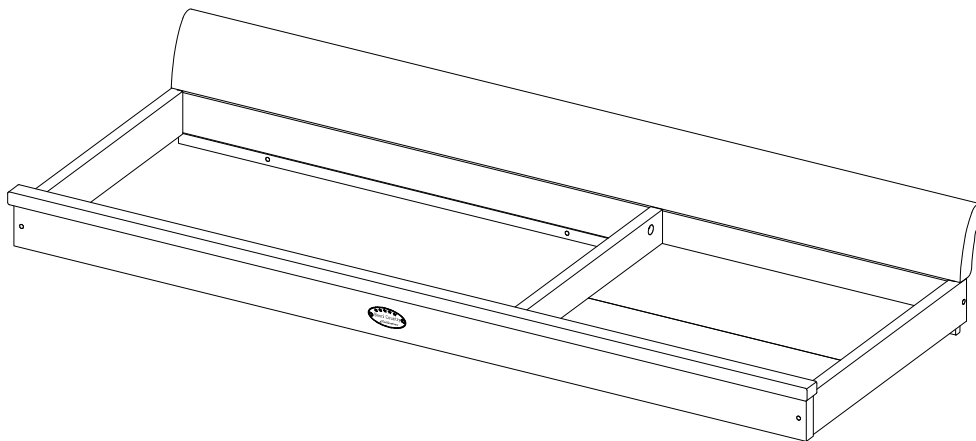




Boori Country Sleigh Dresser Changing Station

Assembly Instructions



IMPORTANT:
THE ASSEMBLY OF THIS PRODUCT
MAY REQUIRE TWO PEOPLE

IMPORTANT:
PLEASE READ THE INSTRUCTIONS CAREFULLY AND KEEP FOR FUTURE REFERENCE

Read all instructions BEFORE assembly and USE of the product. KEEP INSTRUCTIONS FOR FUTURE USE.

IMPORTANT, RETAIN FOR FUTURE REFERENCE PLEASE READ CAREFULLY

Boori Australia Pty Ltd
18-20 Charles Street
St. Marys Sydney NSW
2760 Australia
Ph: 61 2 9833 3769
Fax: 61 2 9673 4240



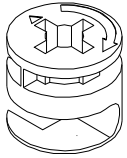
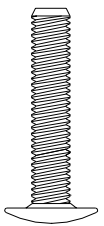

Boori (UK) Ltd
Unit 1, Transigo
Gables Way
Thatcham
RG19 4ZA
Ph: (44) 016 3529 5670
Fax: (44) 016 3587 7552

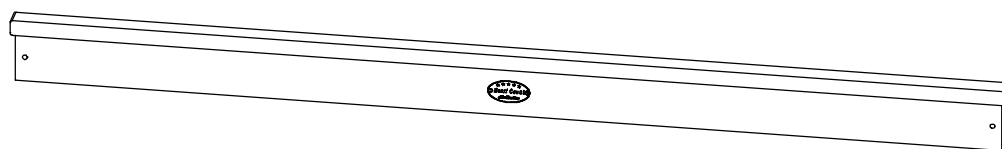
Boori USA LLC
20 Chapin Road, Suite 1001
PO Box 406
Pine Brook, NJ 07058
Ph: +1 973 577 6933
Fax: +1 973 577 6934

ブーリジャパン(株)
〒541-0057
大阪府大阪市中央区北久宝寺町
4-2-10
Ph : 06-4963-3939
Fax : 06-4963-3900
E-mail : info@boori.co.jp

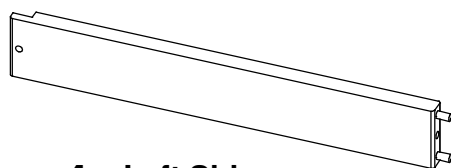
Instructions for Boori Country Sleigh Dresser Changing Station (BCA-SLDCS)

Hardware and Parts List

1 x Allen Key	2 x Connecting bolts	2 x Excenter fittings	5 x M5*25mm Connecting bolts	2 x M5*44mm Connecting bolts
A 	B 	C 	D 	E 
			Actual size	Actual size

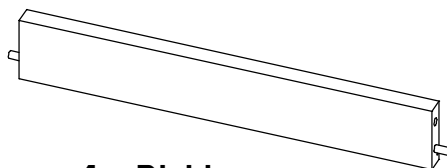


① 1 x Front



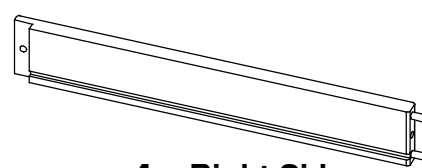
1 x Left Side

②



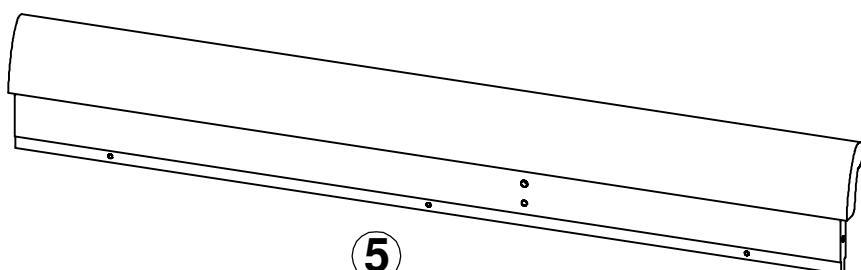
1 x Divider

③



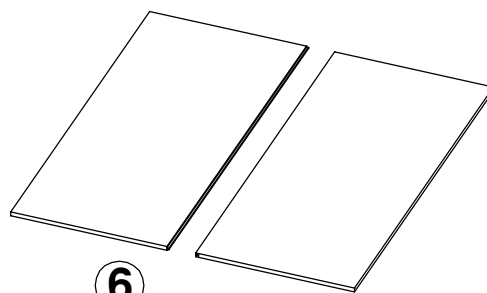
1 x Right Side

④



1 x Back

⑤



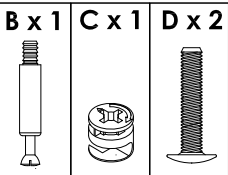
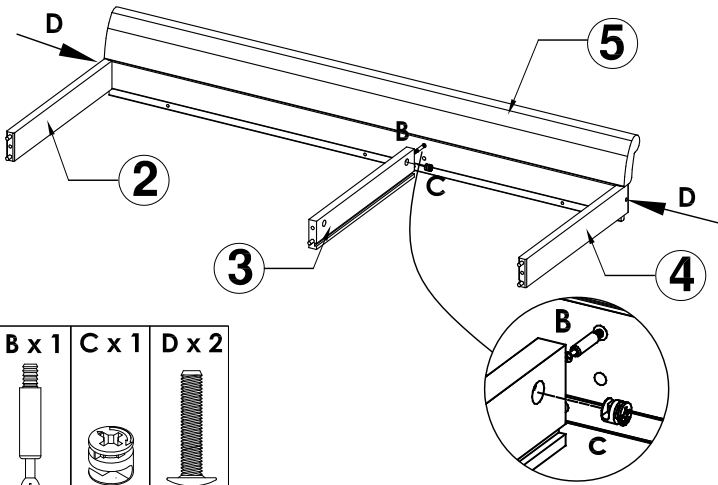
2 x Bases (Left & Right)

⑥

ASSEMBLY INSTRUCTIONS

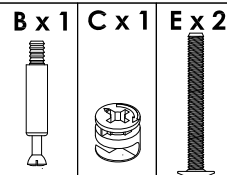
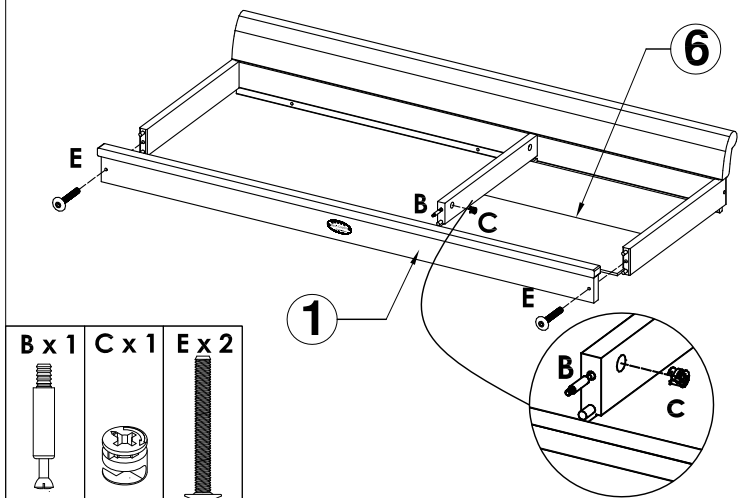
Step 1:

- 1) Attach the **Left Side** (2) and the **Right Side** (4) to the **Back** (5) using 2 x **D** connecting bolts.
- 2) Attach the **Divider** (3) to the **Back** (5) with 1 x **B** connecting bolt and 1 x **C** excenter fitting.



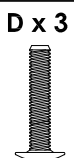
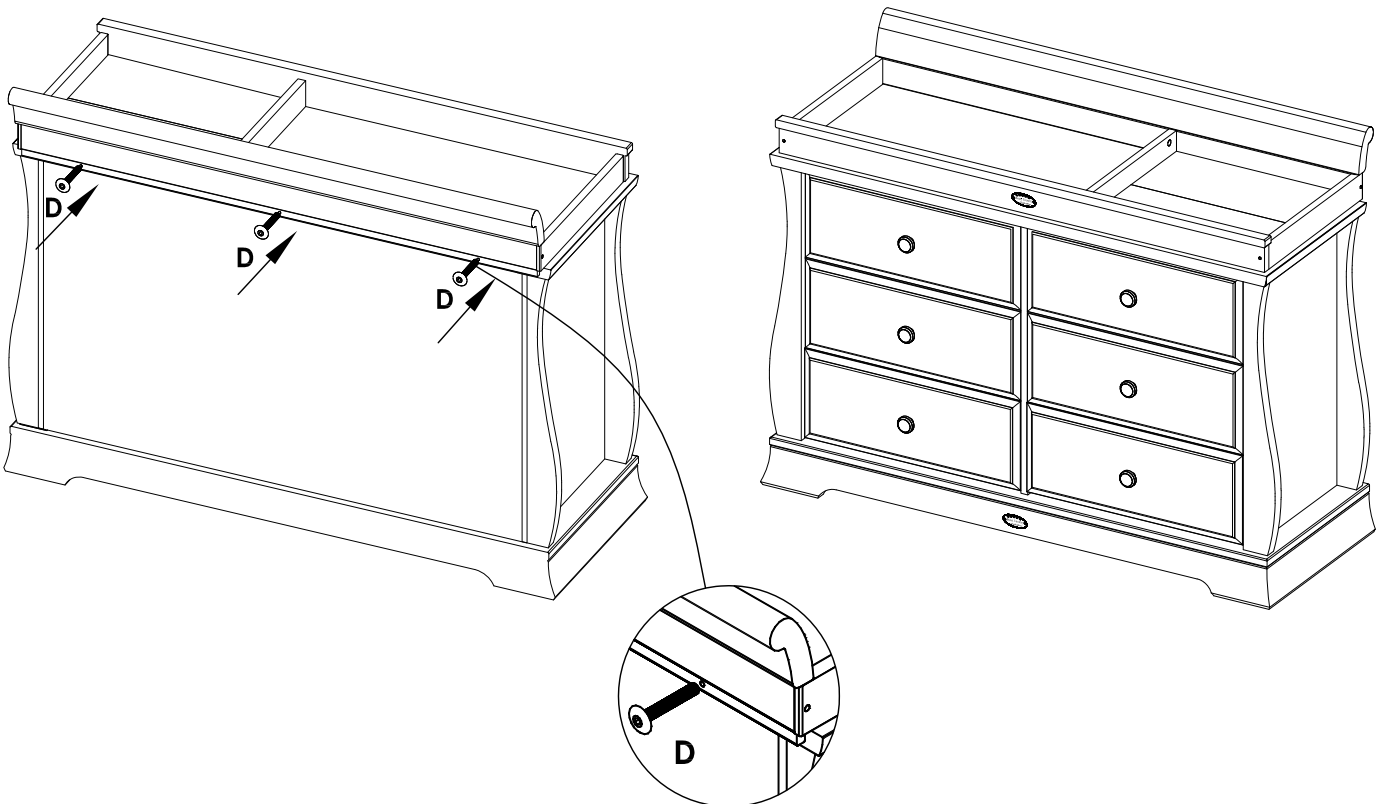
Step 2:

- 1) Slide the **Base** (6) into the grooves on the **Right Side** (4) and the **Divider** (3).
- 2) Attach the **Front** (1) with 2 x **E** connecting bolts and 1 x **B** connecting bolt and 1 x **C** excenter fitting.



Step 3:

Attach the **Back** (5) to the back of dresser with 3 x **D** connecting bolts.



Maintenance of your Boori Furniture

- * TO ENSURE THE SAFETY OF YOUR CRIB BED OR CHANGING STATION, REGULARLY CHECK ALL THE CONNECTING BOLTS AND GLIDE PINS MAKING SURE THEY ARE TIGHT; CARE SHOULD BE TAKEN THAT NO SCREWS ARE LOOSE
- * GLIDE PINS AND BOLTS SHOULD BE TIGHTENED EVERY FOUR TO SIX MONTHS TO ENSURE CRIB/FURNITURE REMAINS STABLE
- * TO CLEAN YOUR CRIB OR FURNITURE USE A SOFT CLOTH DAMPENED WITH WATER
- * DO NOT USE STRONG HOUSEHOLD CLEANERS
- * AVOID CONTACT WITH SHARP OBJECTS
- * WHEN MOVING YOUR CRIB BED OR FURNITURE DO NOT DRAG, ALWAYS LIFT AND PLACE IN POSITION