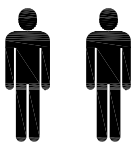
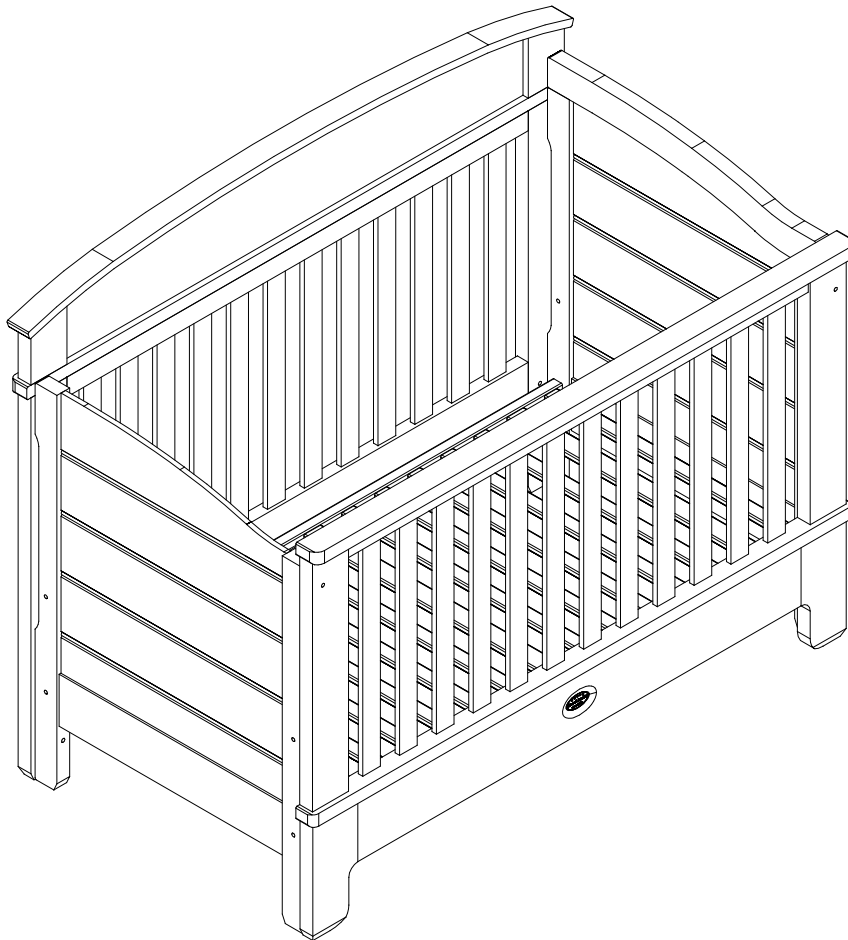




Boori Country Madison Crib Forever

Assembly Instructions



IMPORTANT:
THE ASSEMBLY OF THIS PRODUCT
REQUIRES TWO PEOPLE

IMPORTANT:
PLEASE READ THE INSTRUCTIONS CAREFULLY AND KEEP FOR FUTURE REFERENCE

Read all instructions BEFORE assembly and USE of the product. KEEP INSTRUCTIONS FOR FUTURE USE.

***IMPORTANT, RETAIN FOR FUTURE REFERENCE*
PLEASE READ CAREFULLY**

Boori International Pty Ltd
18-20 Charles Street
St. Marys Sydney NSW
2760 Australia
Ph: 61 2 9833 3769
Fax: 61 2 9673 4240

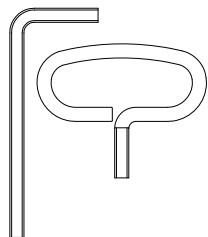
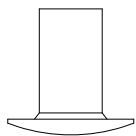
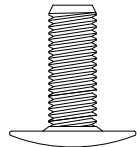

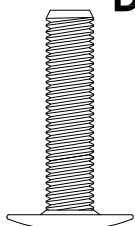
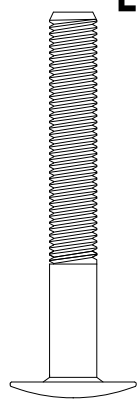
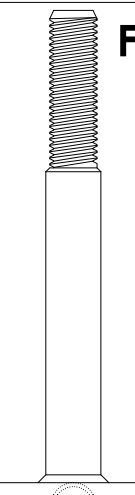
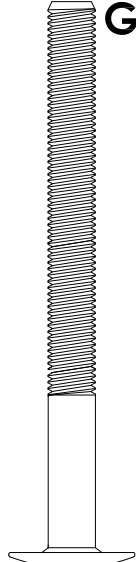
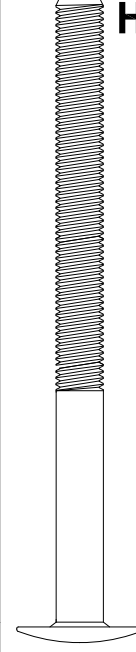
Boori (UK) Ltd
Unit 1, Transigo
Gables Way
Thatcham
RG19 4ZA
Ph: (44) 016 3529 5670
Fax: (44) 016 3587 7552

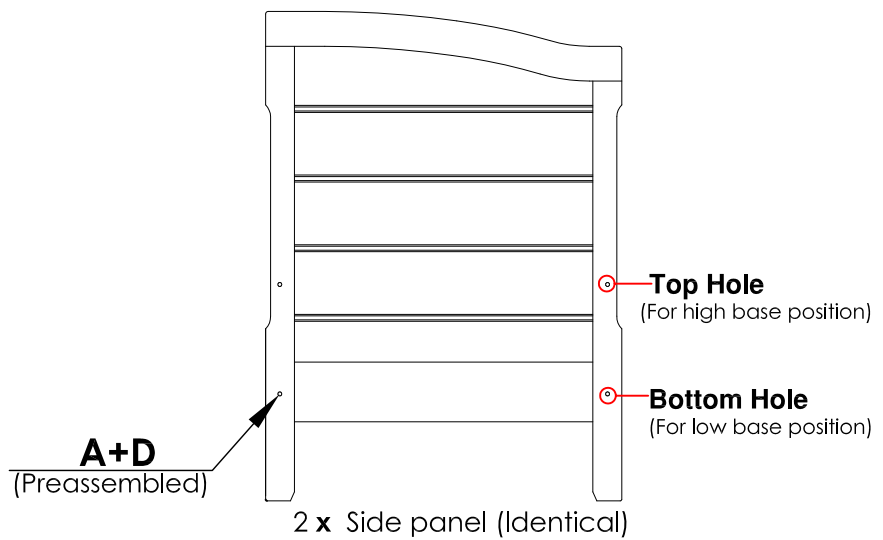
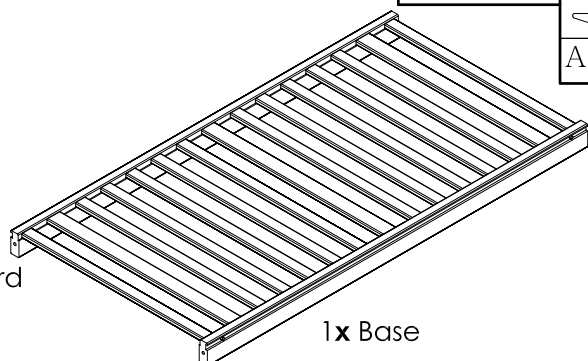
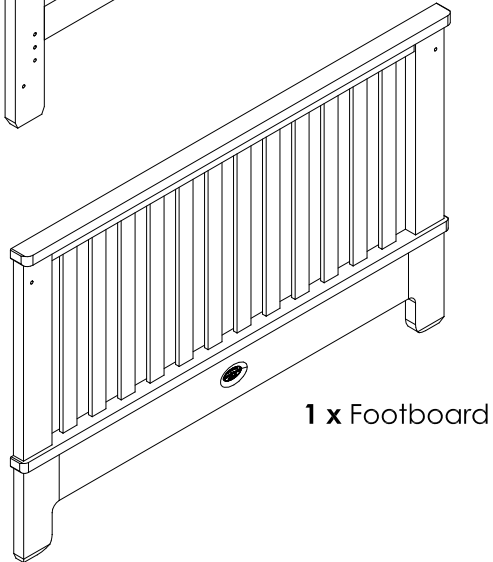
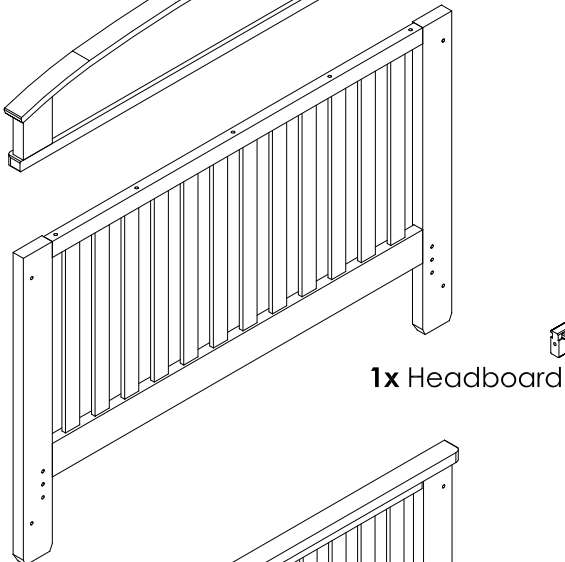
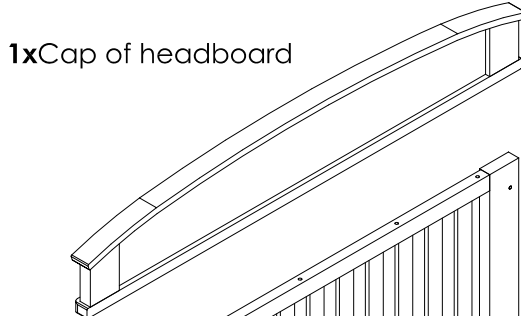
Boori USA LLC
20 Chapin Road, Suite 1001
Po Box 406
Pine Brook, NJ 07058
Ph: +1 973 577 6933
Fax: +1 973 577 6934

Boori Japan Co.,Ltd
401A, 4-2-10 Kitakyuhoji-machi,
Chuo-ku, Osaka 541-0057 Japan
Ph: 06-4963-3939
Fax: 06-4963-3900
E-mail: info@boori.co.jp

Instructions for Boori Country Madison Crib Forever (BCA-MCFE)

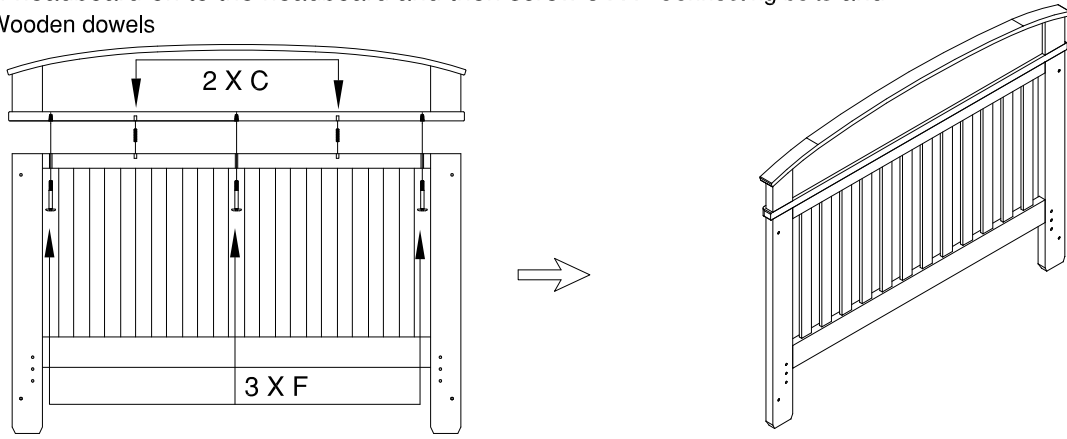
Hardware and Parts List

2 x Allen Keys	6 x M6*14mm Capping nuts	2 x M6*18mm Connecting bolts	2 x Ø8*30mm Wooden dowels	4 x M6*28mm Connecting bolts	4 x M6*54mm Connecting bolts	3 x M6*60mm Connecting bolts	4 x M6*70mm Connecting bolts	4 x M6*80mm Connecting bolts
	 A Preassembled	 B Actual size	 C	 D Preassembled Actual size	 E Actual size	 F Actual size	 G Actual size	 H Actual size

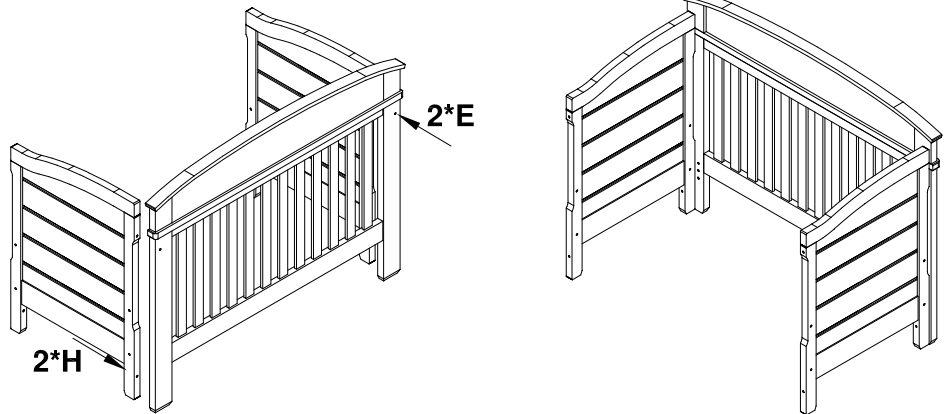


Assembly as a cot

Stage 1: Cap of headboard on to the headboard and then screw 3 X F Connecting bolts and 2XC Wooden dowels

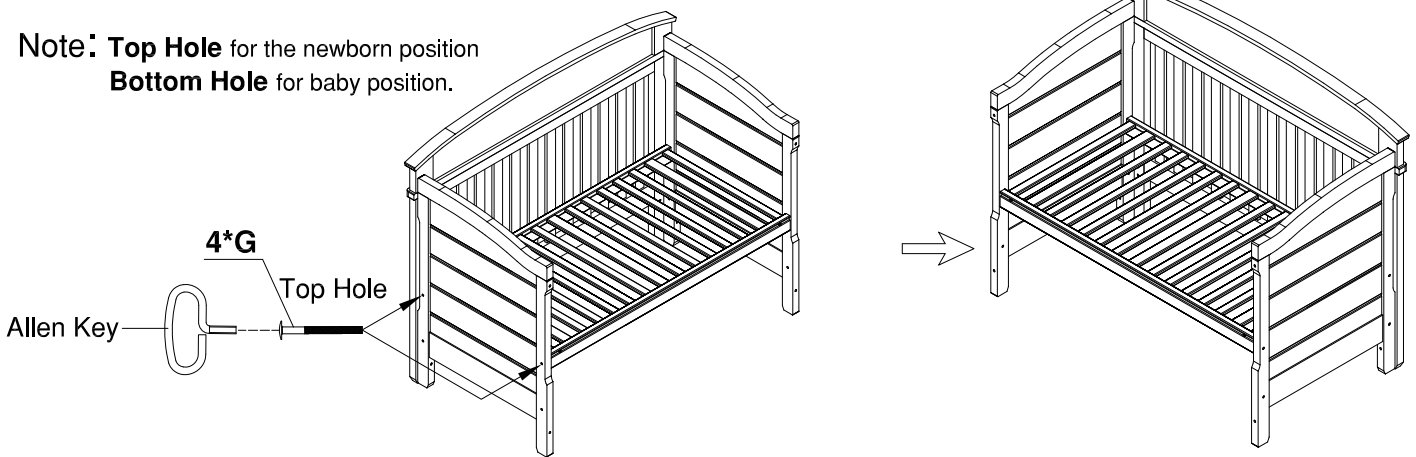


Stage 2: Connect Headboard panel to the two side panels with the 2 XE and 2XH connecting bolts provided. tighten all the connecting bolts (Do not over tighten)

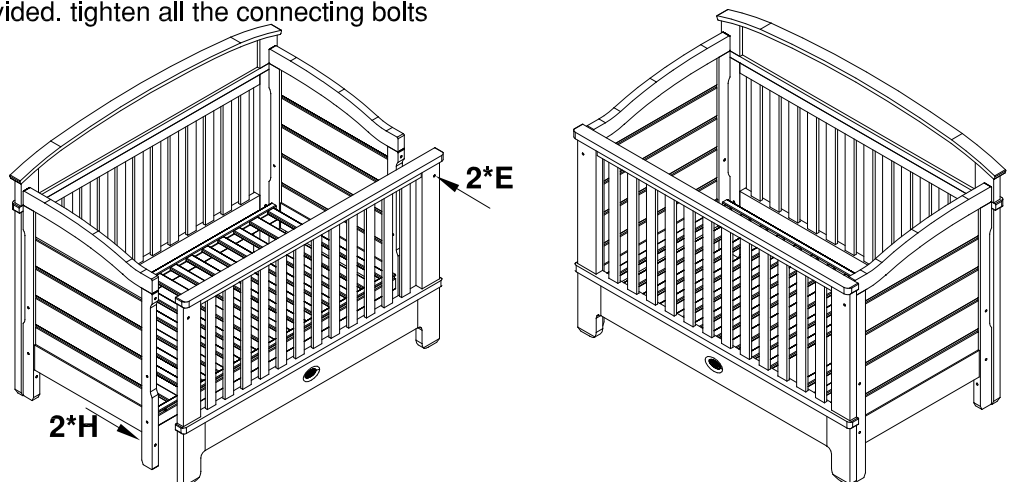


Stage 3: Connect mattress base to the two side panels with the 4 XG connecting bolts provided.

Note: **Top Hole** for the newborn position
Bottom Hole for baby position.



Stage 4: Connect Footboard to the two side panels with the 2 XE and 2XH connecting bolts provided. tighten all the connecting bolts (Do not over tighten)

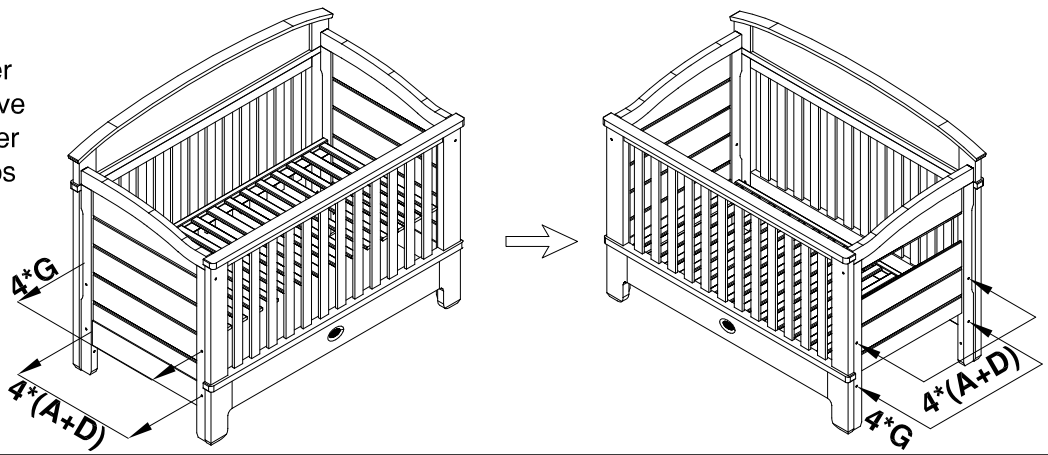


Assembly as a cot

Note:

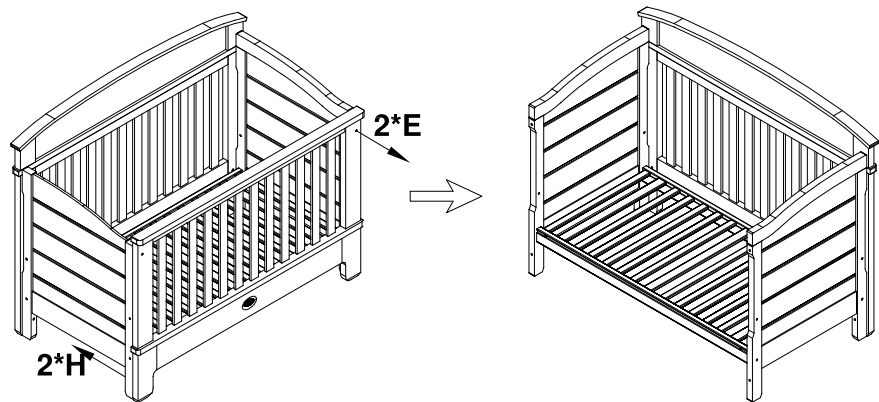
When child is able to sit up adjust mattress/base to the lower position (bottom hole) and remove bumper pads, large toys and other objects that could serve as steps for climbing out.

Remove 4*(A+D) preassembled from the bottom holes of side panels and block top holes with 4*D connecting bolts and 4*A capping nuts provided.



Converting to the Sofa

Stage 1: Reposition the base to the lower position (bottom hole of Footboard)
Screw all bolts loose and remove two fixed sides



Stage 2: Block the top holes with the 2*E connecting bolts and 2*A capping nuts provided
Block remaining holes on the side panel with 2*B connecting bolts

