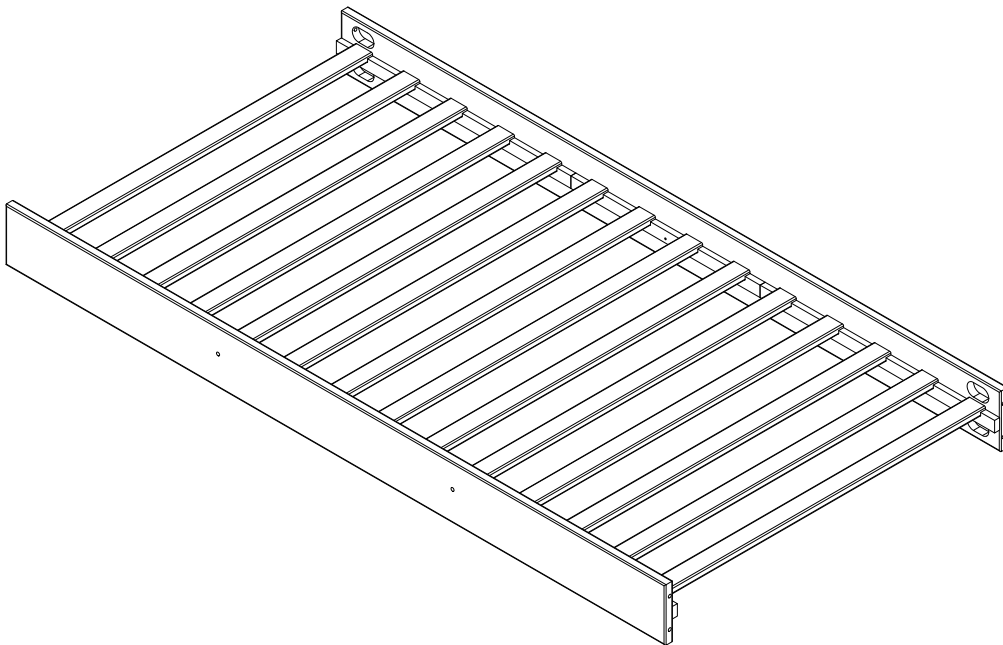


Boori

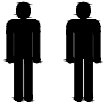
Dawn



Expandable Conversion Kit



**IMPORTANT:
PLEASE READ THE INSTRUCTIONS CAREFULLY
AND KEEP FOR FUTURE REFERENCE**



**IMPORTANT: THE ASSEMBLY OF THIS PRODUCT REQUIRES TWO PEOPLE
READ ALL INSTRUCTIONS BEFORE ASSEMBLY AND USE OF THE PRODUCT.**

Boori Australia Pty Ltd
18-20 Charles Street
St. Marys Sydney NSW
2760 Australia
Ph: 61 2 9833 3769
Fax: 61 2 9673 4240
www.boori.com.au

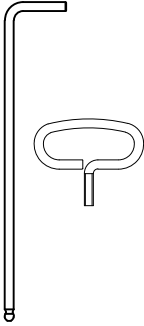
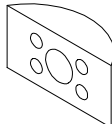
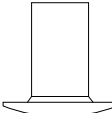
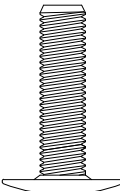
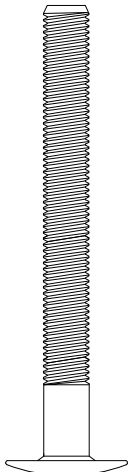
Boori (Europe) Ltd
Unit 1, Transigo
Gables Way
Thatcham, Berkshire,
RG19 4JZ
Ph: (44) 016 3529 5670
Fax: (44) 016 3587 7552
www.boori.co.uk

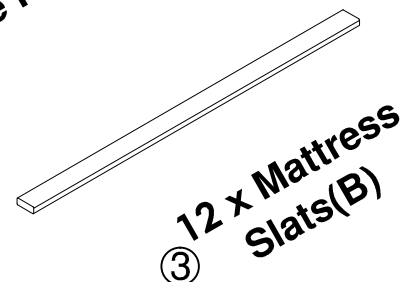
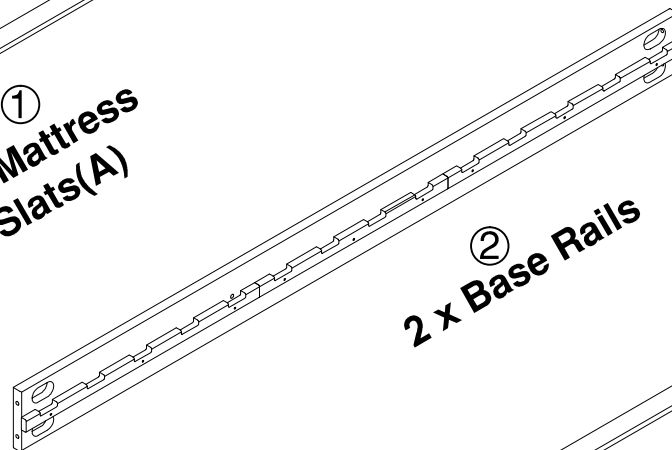
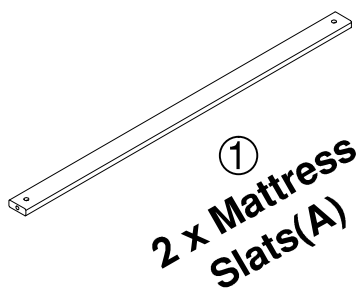
Halim & Boori Company
10F. Halim INT'L B/D,
#1674-4, Seocho-Dong,
Seocho-Gu, Seoul, Korea
Tel: +82-2-598-1470
Fax: +82-2-583-8885
E-mail : ted@boori.co.kr
Postal code: 137-725.

ブーリジャパン(株)
〒541-0057
大阪府大阪市中央区北久宝寺町
4-2-10
Ph : 06-4963-3939
Fax : 06-4963-3900
E-mail : info@boori.co.jp

Instructions for Boori Dawn Expandable Conversion Kit (B-DAEXCK)

Hardware and Parts List

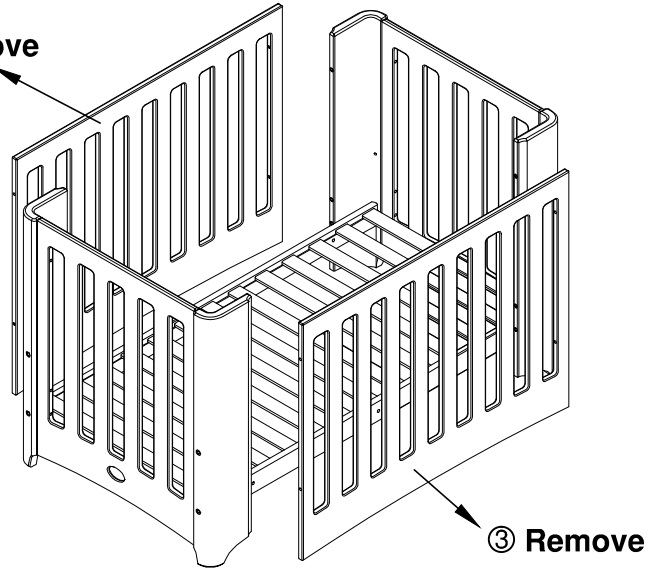
Allen Keys	8 x Crescent washers	8 x Capping nuts	12 x M6*23mm Connecting bolts	24 x M6*60mm Connecting bolts
	A 	B 	C 	D 
(all from the B-DAEXP)		(4 from the B-DAEXP)	(8 from the B-DAEXP)	(all from the B-DAEXP)
Actual size	Actual size	Actual size	Actual size	Actual size
NOTE: Use only spare parts approved by the manufacturer.				



ASSEMBLY INSTRUCTIONS

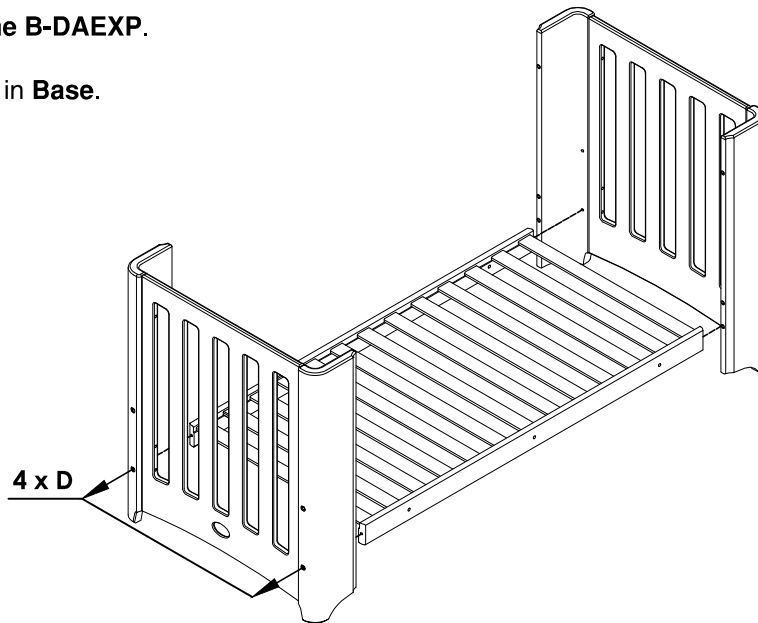
Step 1: Remove the **Side Panels** in the B-DAEXP.

③ Remove



Step 2: Remove the **Base** in the B-DAEXP.

Remove **4 x D** connecting bolts in **Base**.



Step 3: Separation of **Legs** and **End Panels** in the B-DAEXP.

A: Remove **12 x D** connecting bolts in **End Panels** and **Legs**.

B: Rotate two **Legs** ① clockwise 90° as shown.
Rotate two **Legs** ② counterclockwise 90°.

