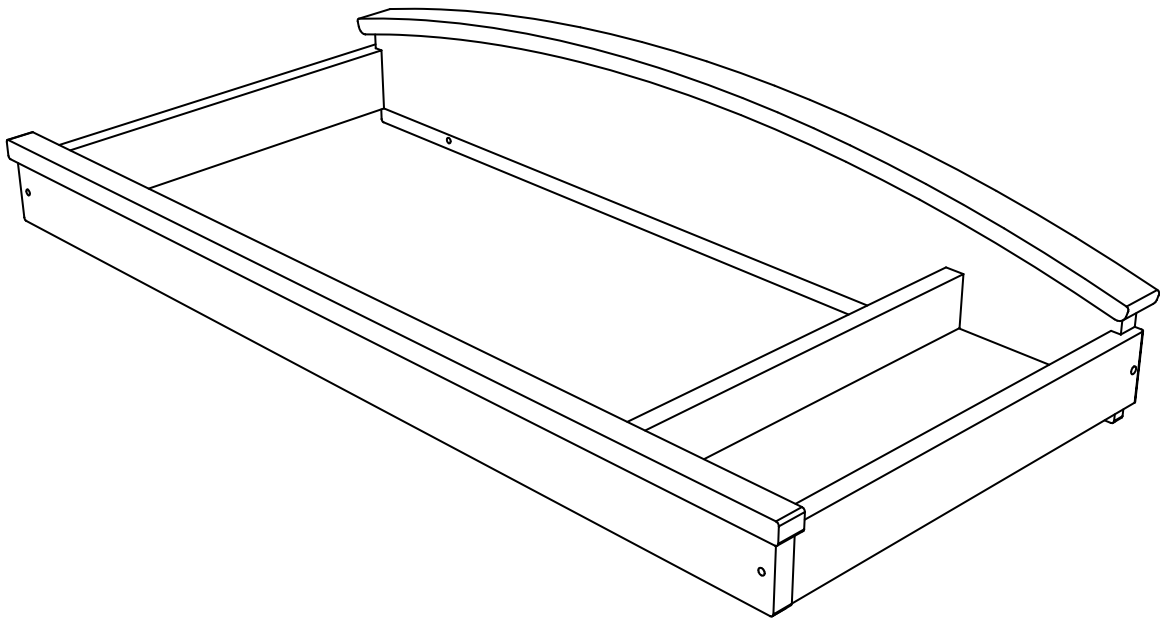


Boori

Universal



Arched Changing Station
for 3 Drawer Dresser



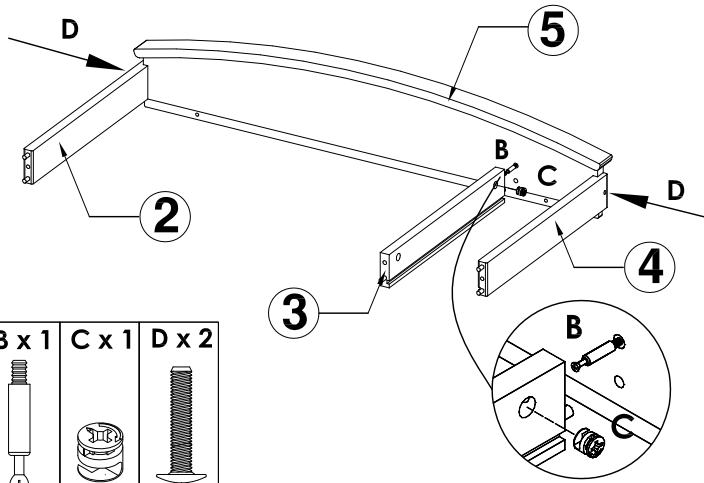
IMPORTANT:

**PLEASE READ THE INSTRUCTIONS CAREFULLY
AND KEEP FOR FUTURE REFERENCE**

ASSEMBLY INSTRUCTIONS

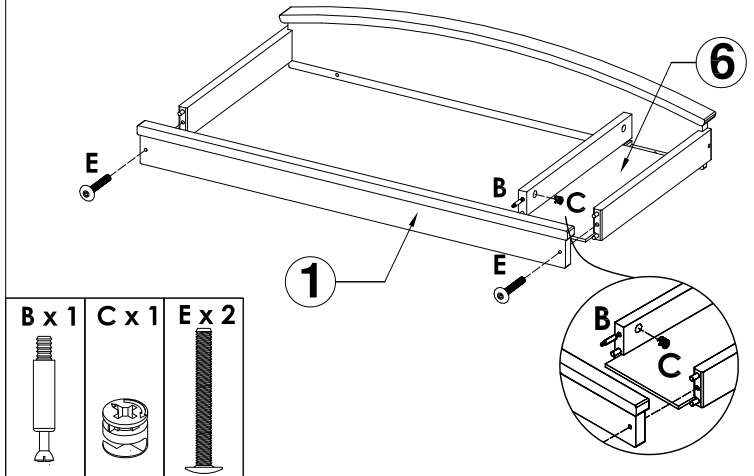
Step 1:

- 1) Attach the **Left Side** ② and the **Right Side** ④ to the **Back** ⑤ using **2 x D** connecting bolts.
- 2) Attach the **Divider** ③ to the **Back** ⑤ with **1 x B** connecting bolt and **1 x C** excenter fitting.



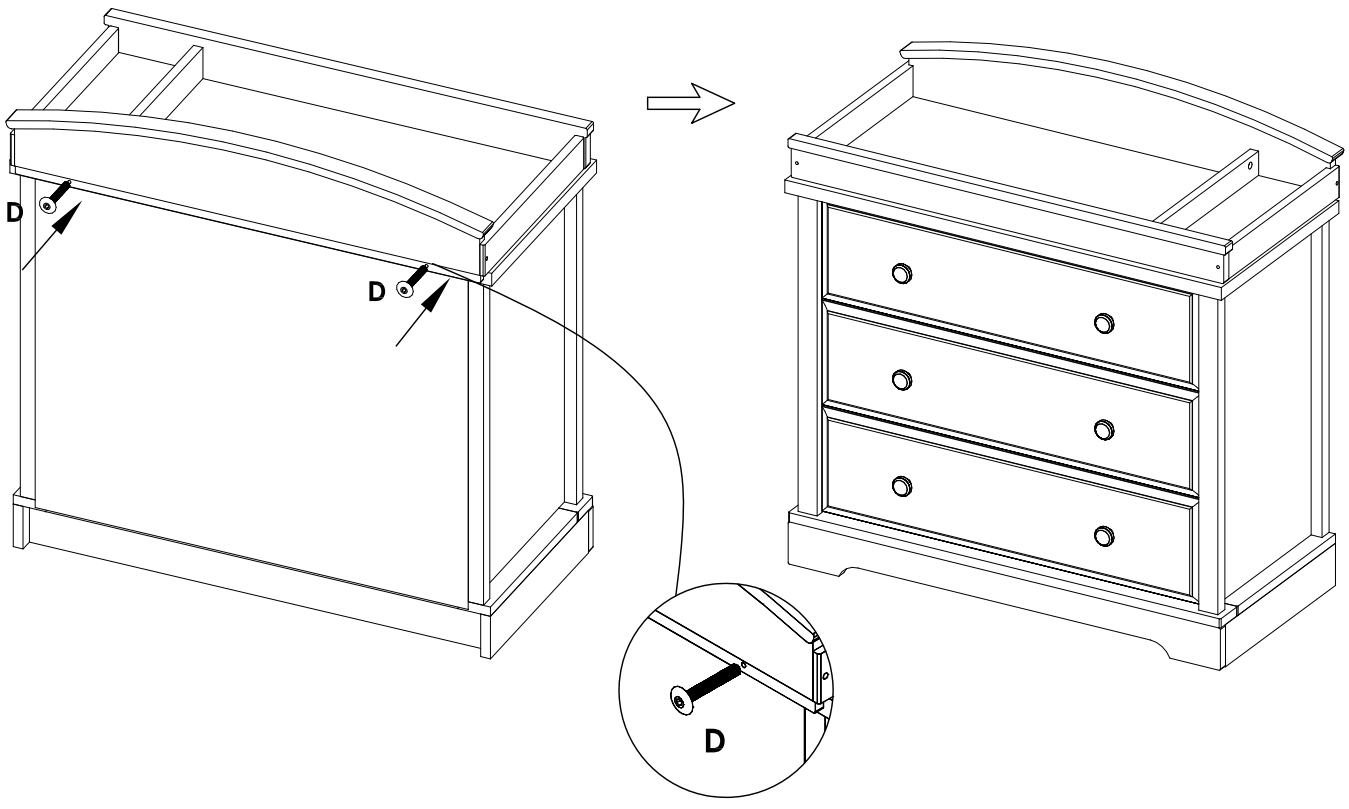
Step 2:

- 1) Slide the **Base** ⑥ into the grooves on the **Right Side** ④ and the **Divider** ③.
- 2) Attach the **Front** ① with **2 x E** connecting bolts and **1 x B** connecting bolt and **1 x C** excenter fitting.



Step 3:

Attach the **Back** ⑤ to the back of drawer chest with **2 x D** connecting bolts.



Maintenance of your Boori Furniture

- * TO ENSURE THE SAFETY OF YOUR CRIB BED OR CHANGING STATION, REGULARLY CHECK ALL THE CONNECTING BOLTS AND GLIDE PINS MAKING SURE THEY ARE TIGHT; CARE SHOULD BE TAKEN THAT NO SCREWS ARE LOOSE
- * GLIDE PINS AND BOLTS SHOULD BE TIGHTENED EVERY FOUR TO SIX MONTHS TO ENSURE CRIB/FURNITURE REMAINS STABLE
- * TO CLEAN YOUR CRIB OR FURNITURE USE A SOFT CLOTH DAMPENED WITH WATER
- * DO NOT USE STRONG HOUSEHOLD CLEANERS
- * AVOID CONTACT WITH SHARP OBJECTS
- * WHEN MOVING YOUR CRIB BED OR FURNITURE DO NOT DRAG, ALWAYS LIFT AND PLACE IN POSITION