

Read all instructions BEFORE assembly and USE of product. KEEP INSTRUCTIONS FOR FUTURE USE

***IMPORTANT, RETAIN FOR FUTURE REFERENCE*
PLEASE READ CAREFULLY**

Boori International

AUSTRALIA
18-20 Charles Street
St. Marys Sydney NSW
2760 Australia
Ph: 61 2 9833 3769
Fax: 61 2 9673 4240

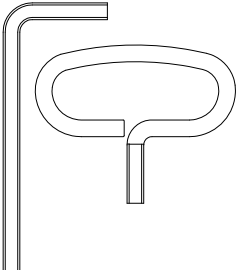
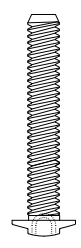
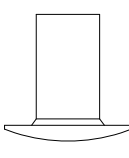
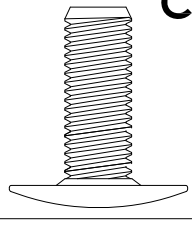
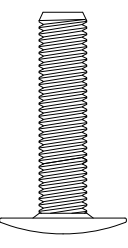
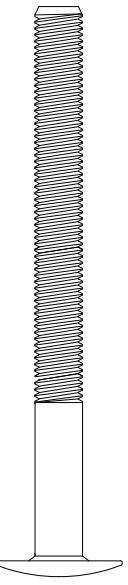
Boori (UK) Ltd
Unit 1, Transigo,
Gables Way, Kennet Park,
Thatcham, Berkshire,
RG19 4ZA
Ph: (44) 016 3529 5670
Fax: (44) 016 3587 7552

Boori USA LLC
20 Chapin Road, Ste 1001
Pine Brook, NJ 07058
Ph: +1 973 577 6933
Fax: +1 973 577 6934

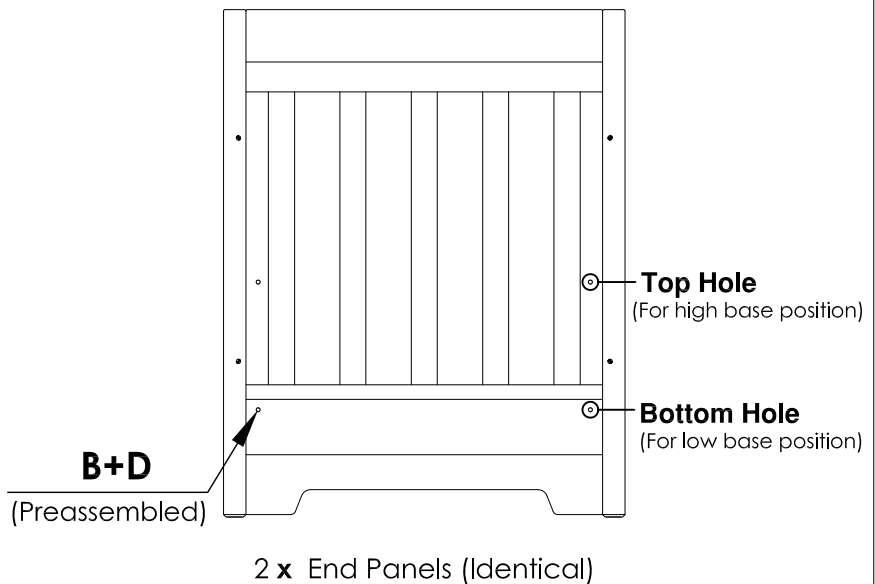
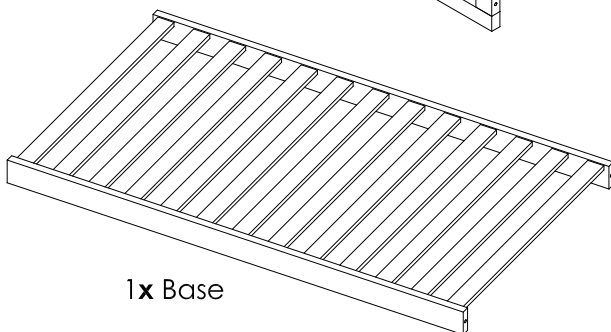
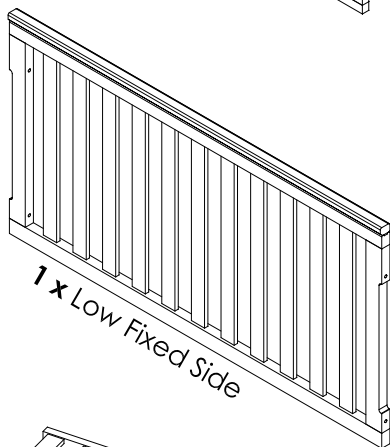
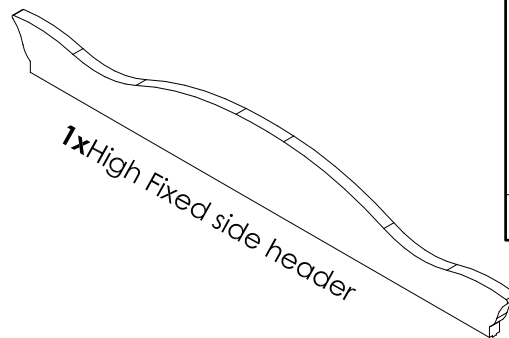
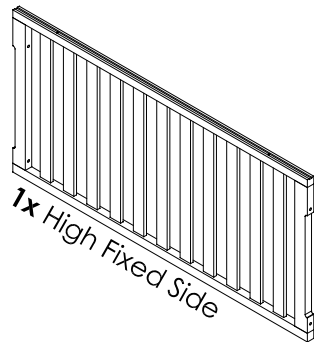
Boori JAPAN Co., Ltd
401A, 4-2-10 Kitakyuhoji-machi,
Chuo-ku, Osaka 541-0057 Japan
TEL: 06-4963-3939
FAX: 06-4963-3900
E-mail: info@boori.co.jp

Instructions for the Boori Country USA Sleigh Royale Crib 3 in 1

Hardware and parts list

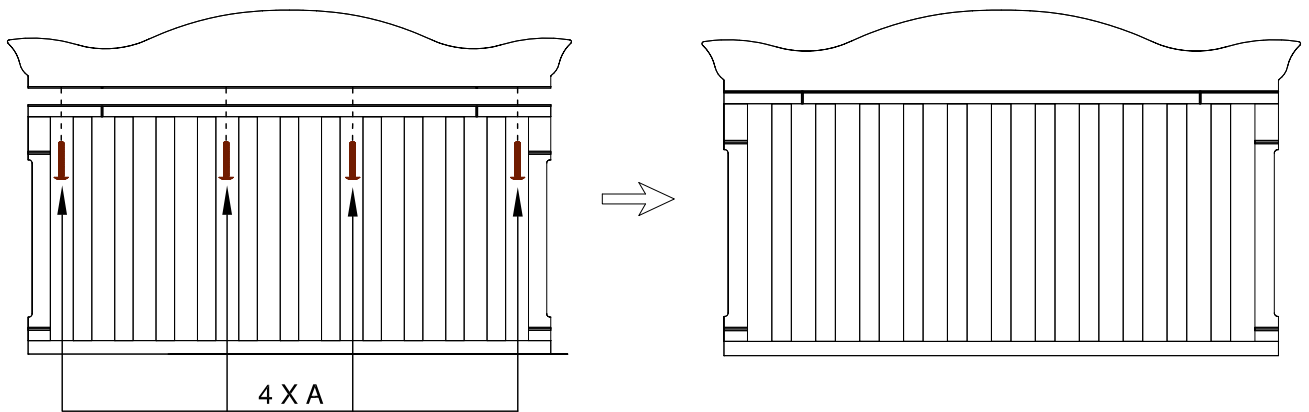
2 x Allen Keys	4 x M4*45mm T-Rail bolts	4 x M6*14mm Capping nuts	8 x M6*18mm Connecting bolts	4 x M6*28mm Connecting bolts	12 x M6*70mm Connecting bolts
	 A	 B Preassembled	 C Actual size	 D Preassembled	 E Actual size

Actual size

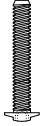


Assembly as a Crib

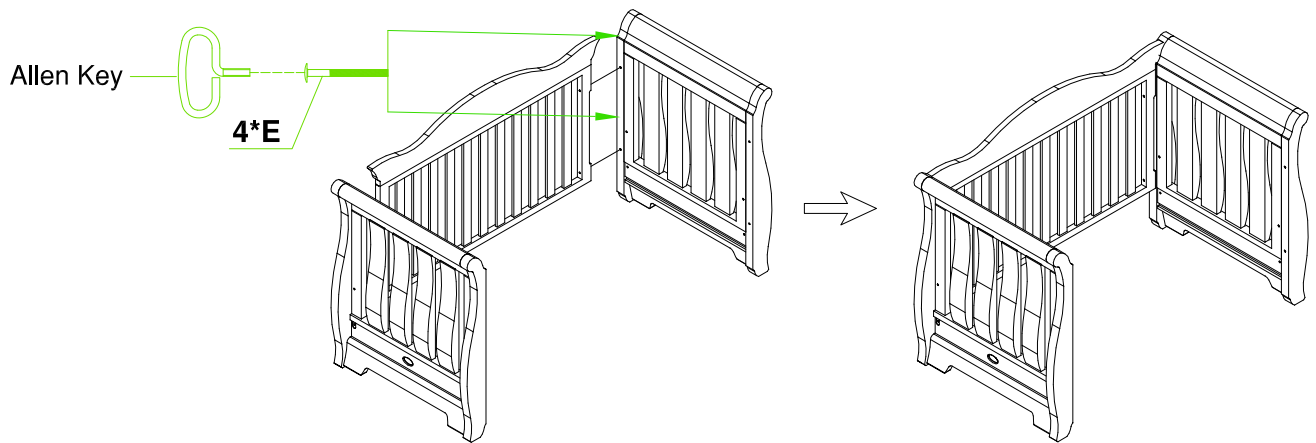
Stage 1: Attach the high fixed side header onto the high fixed side panel, then screw 4*A T-Rail bolts using a philips head screwdriver (not supplied).



A*4



Stage 2: Connect the high fixed side with header to the two end panels with the 4*E connecting bolts provided. (Do not tighten at this stage).



E*4

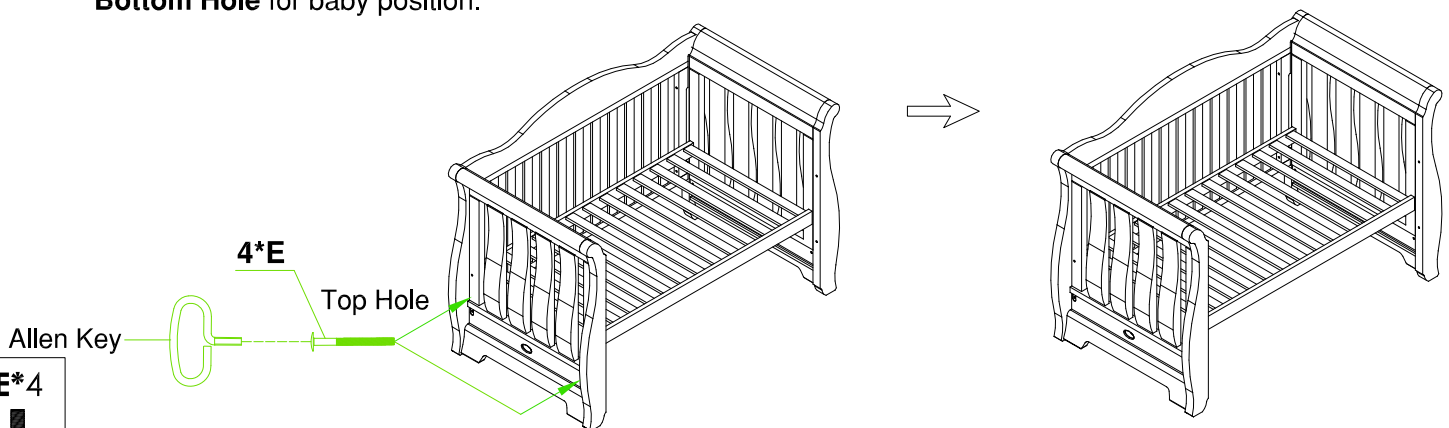


Stage 3: Connect the mattress base to the two end panels with the 4*E connecting bolts provided. (Keep all bolts loose at this stage).

Note:

Top Hole for the newborn position

Bottom Hole for baby position.



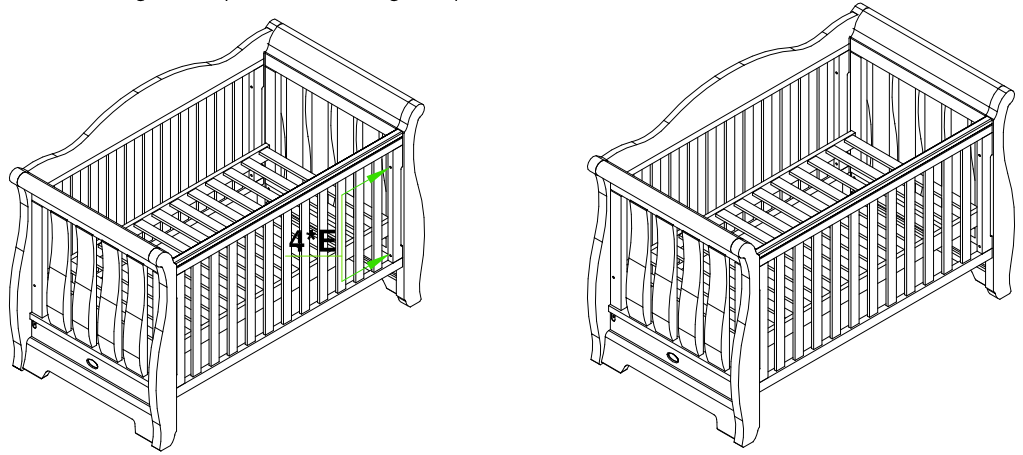
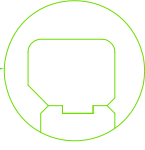
E*4



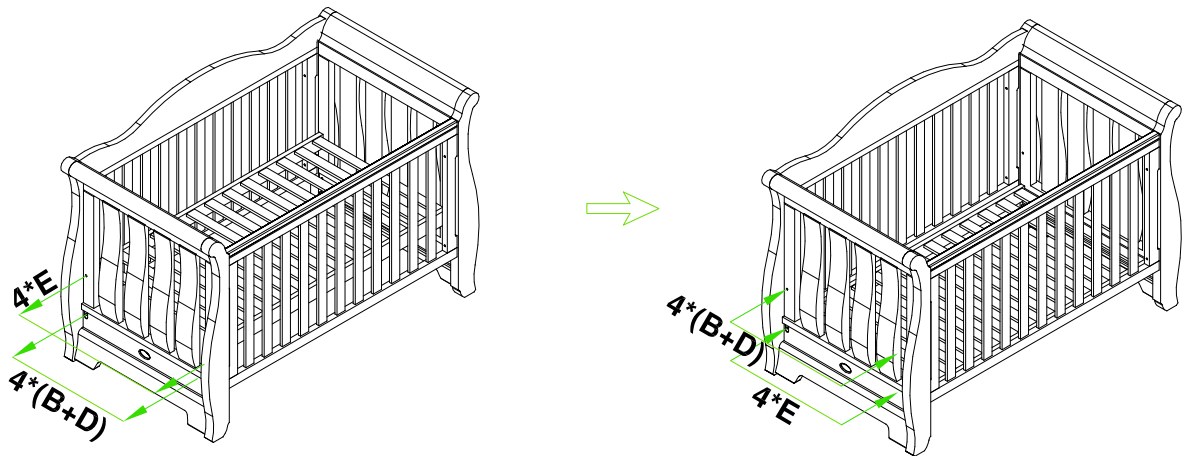
Assembly as a Crib

Stage 4: Connect the low fixed side panel to the two end panels with the 4*E connecting bolts provided. Tighten all the connecting bolts. (Do not over tighten)

Ensure this side is facing out



E*4



Note: When the child is able to sit up, adjust mattress/base to the lower position (bottom hole) and remove bumper pads, large toys and other objects that could serve as steps for climbing out.

Remove 4*(B+D) preassembled from the bottom holes of end panels and block top holes with 4*(B+D) connecting bolts and capping nuts provided.

E*4

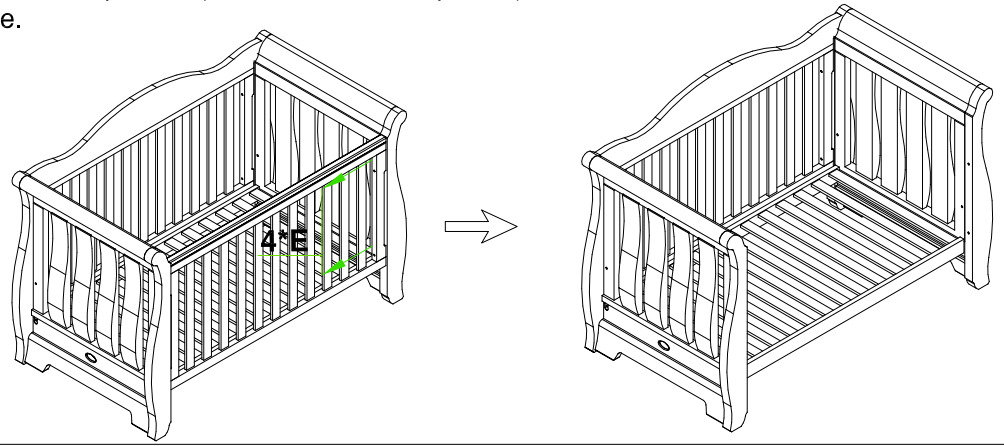
B*4

D*4



Converting to the Day Bed

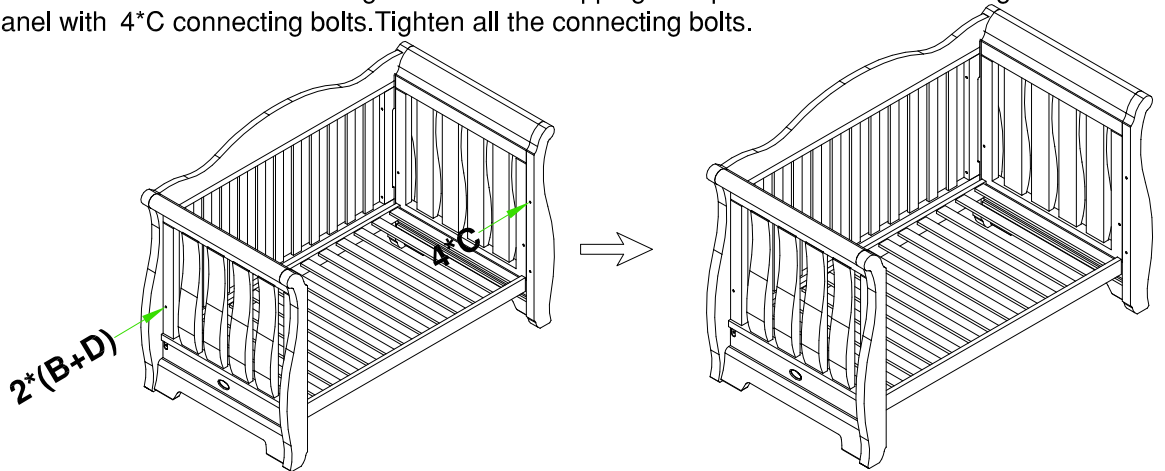
Stage 1: Reposition the base to the lower position(bottom hole of end panels).Screw all bolts loose and remove the low fixed side.



E*4



Stage 2: Block the top holes with the 2*D connecting bolts and 2*B capping nuts provided.Block remaining holes on the end panel with 4*C connecting bolts.Tighten all the connecting bolts.



B*2



C*4



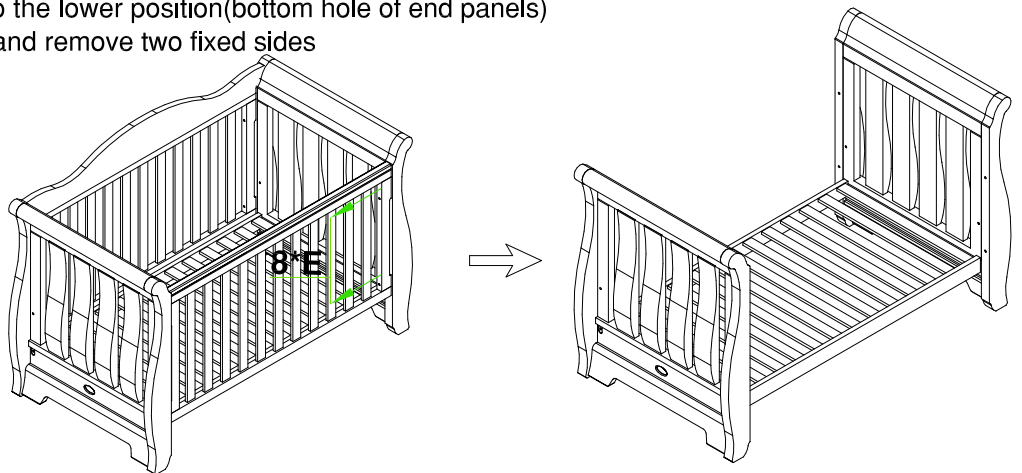
D*2



2*(B+D)

Converting to the Toddler Bed

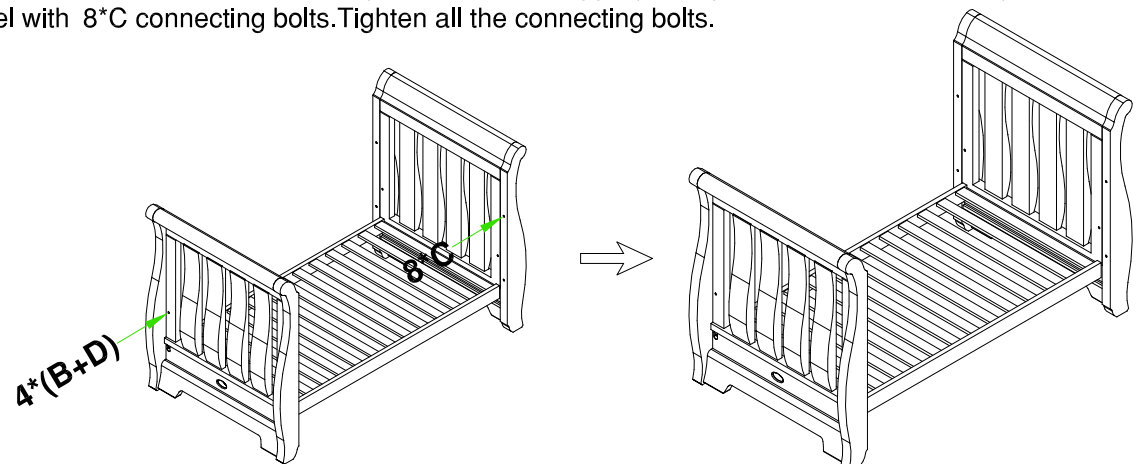
Stage 1: Reposition the base to the lower position(bottom hole of end panels)
Screw all bolts loose and remove two fixed sides



E*8



Stage 2: Block the top holes with the 4*D connecting bolts and 4*B capping nuts provided.Block remaining holes on the end panel with 8*C connecting bolts.Tighten all the connecting bolts.



B*4



C*8



D*4



4*(B+D)