

Read all instructions BEFORE assembly and USE of product. KEEP INSTRUCTIONS FOR FUTURE USE

IMPORTANT, RETAIN FOR FUTURE REFERENCE
PLEASE READ CAREFULLY

Boori International

AUSTRALIA
 18-20 Charles Street
 St. Marys Sydney NSW
 2760 Australia
 Ph: 61 2 9833 3769
 Fax: 61 2 9673 4240

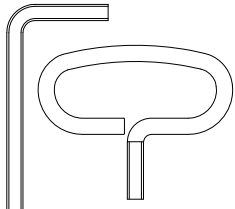
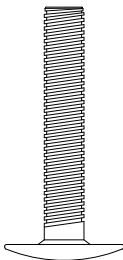
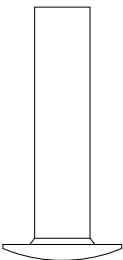
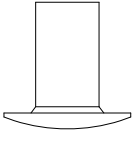
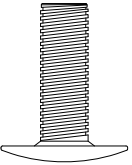
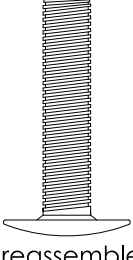
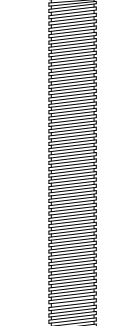
Boori (UK) Ltd
 Unit 1, Transigo,
 Gables Way, Kennet Park,
 Thatcham, Berkshire,
 RG19 4ZA
 Ph: (44) 016 3529 5670
 Fax: (44) 016 3587 7552

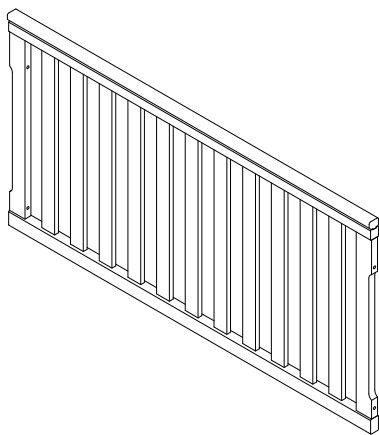
Boori USA LLC
 20 Chapin Road, Ste 1001
 Pine Brook, NJ 07058
 Ph: +1 973 577 6933
 Fax: +1 973 577 6934

Boori JAPAN Co., Ltd
 401A, 4-2-10 Kitakyuhoji-machi,
 Chuo-ku, Osaka 541-0057 Japan
 Ph: 06-4963-3939
 Fax: 06-4963-3900
 E-mail: info@boori.co.jp

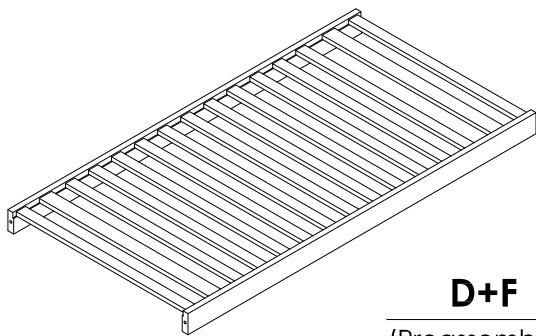
Instructions for the Boori Country USA Madison Crib 3 in 1

Hardware and parts list

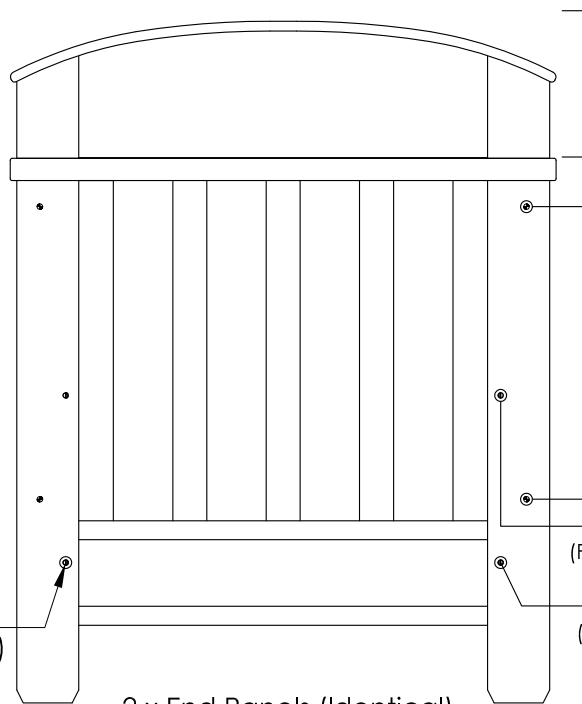
2 x Allen Keys A	4 x M5*30mm Connecting bolts B	4 x M5*30mm Capping nuts C	4 x M6*14mm Capping nuts D	8 x M6*18mm Connecting bolts E	4 x M6*28mm Connecting bolts F	12 x M6*70mm Connecting bolts G
			 Preassembled	 Actual size	 Preassembled Actual size	 Actual size



2 x Fixed Sides (Identical)



1 x Base



End Panel Headboard
 (Removed For use as toddler bed/sofa)

Fixed Holes
 (For Fixed Side)

Top Hole
 (For high base position)

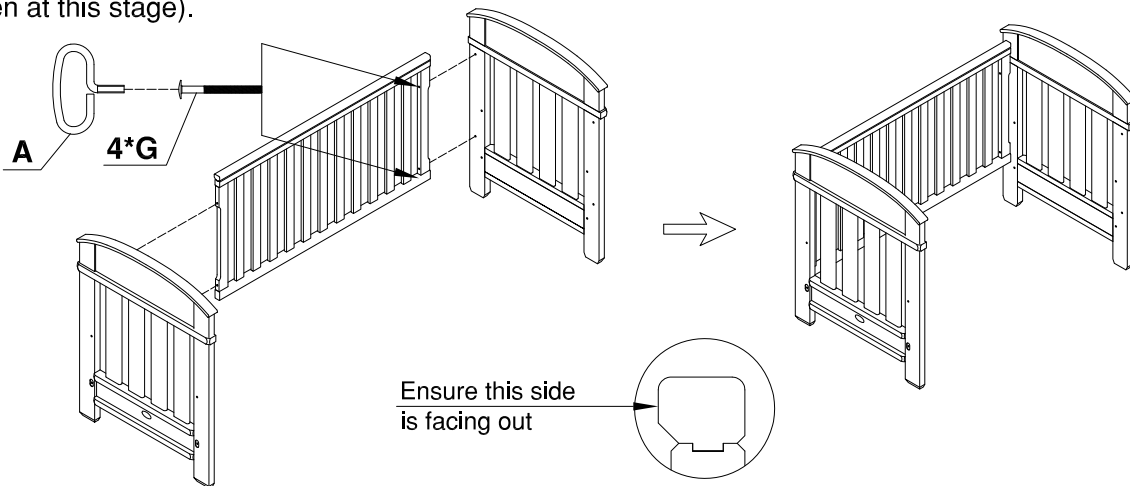
Bottom Hole
 (For low base position)

D+F
 (Preassembled)

2 x End Panels (Identical)

Assembly as a Crib

Stage 1: Connect one fixed side panel to the two end panels with the 4*G connecting bolts provided.
(Do not tighten at this stage).

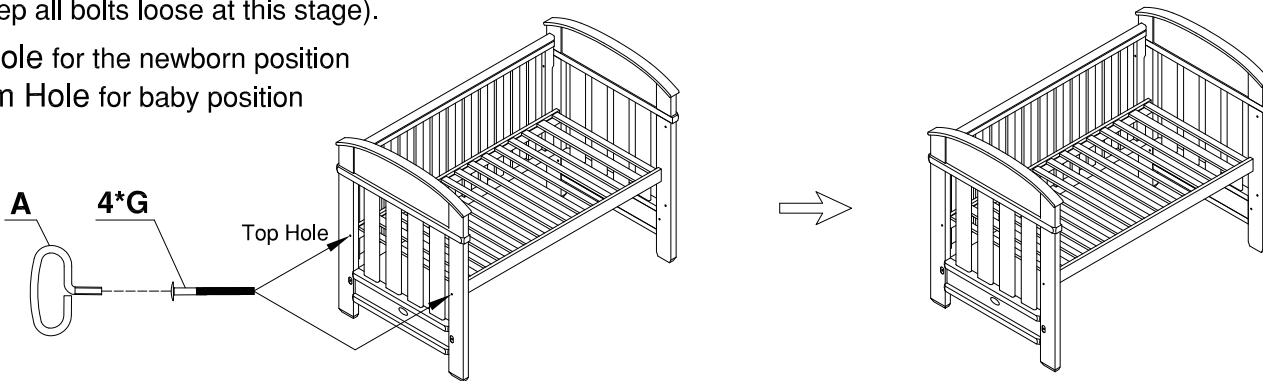


G*4



Stage 2: Connect mattress base to the two end panels with the 4*G connecting bolts provided
(Keep all bolts loose at this stage).

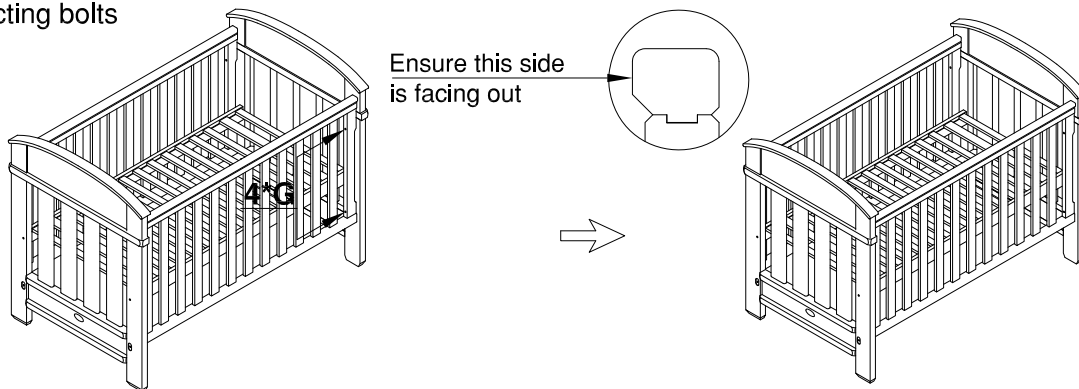
Note: Top Hole for the newborn position
Bottom Hole for baby position



G*4



Stage 3: Connect another fixed side panel to the two end panels with the 4*G connecting bolts provided.
tighten all the connecting bolts
(Do not over tighten)



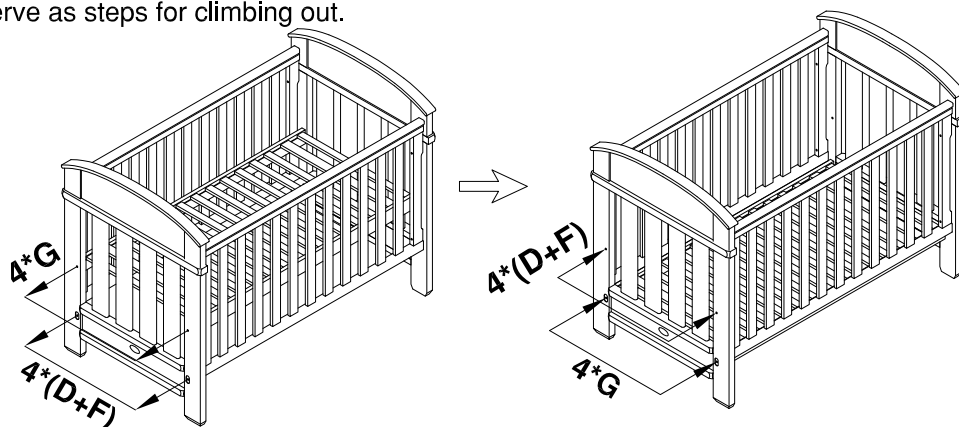
G*4



Note: To disassemble the crib just follow assembly instructions in reverse order.

Note: When child is able to sit up adjust mattress/base to the lower position (bottom hole) and remove bumper pads, large toys and other objects that could serve as steps for climbing out.

Remove 4*(F+D) preassembled from the bottom holes of end panels and block top holes with 4*F connecting bolts and 4*D capping nuts provided.



G*4



D*4



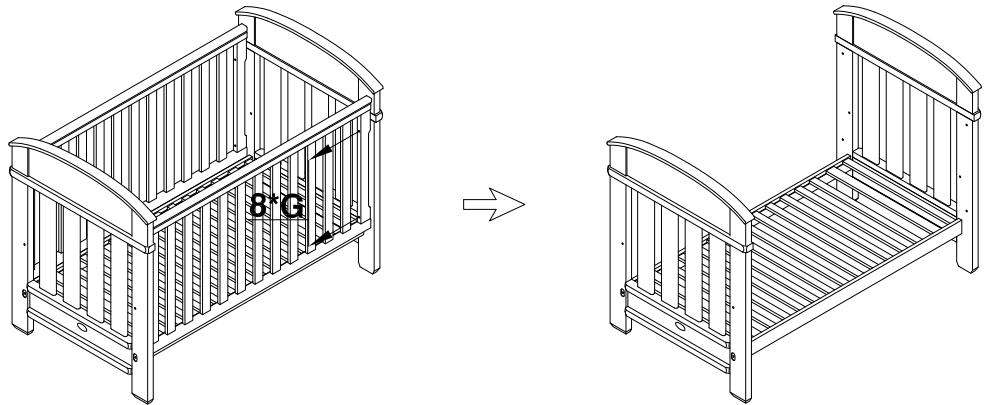
F*4



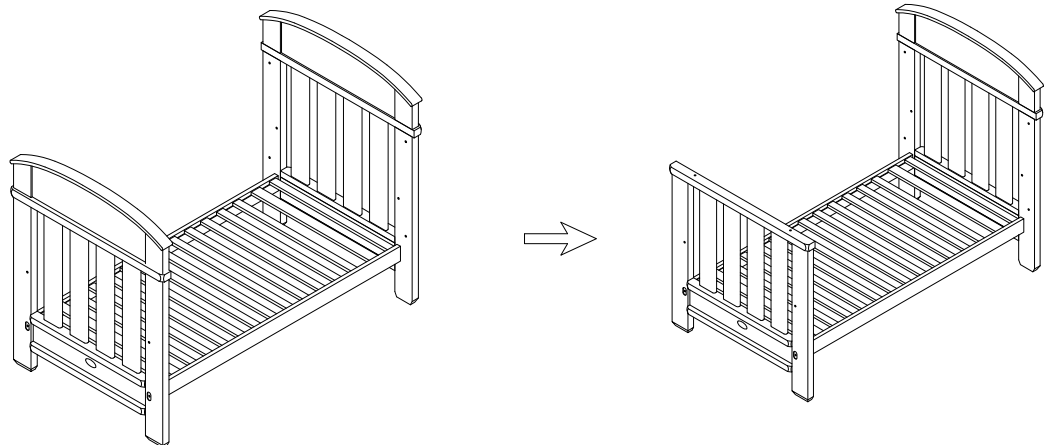
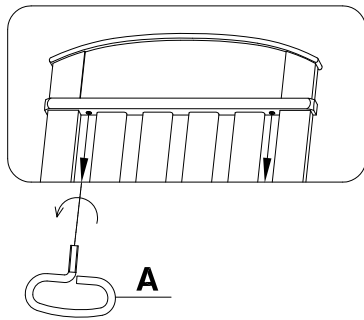
Converting to the Toddler Bed

Stage 1:

Reposition the base to the lower position (bottom hole of end panels)
Screw all bolts loose and remove two fixed sides

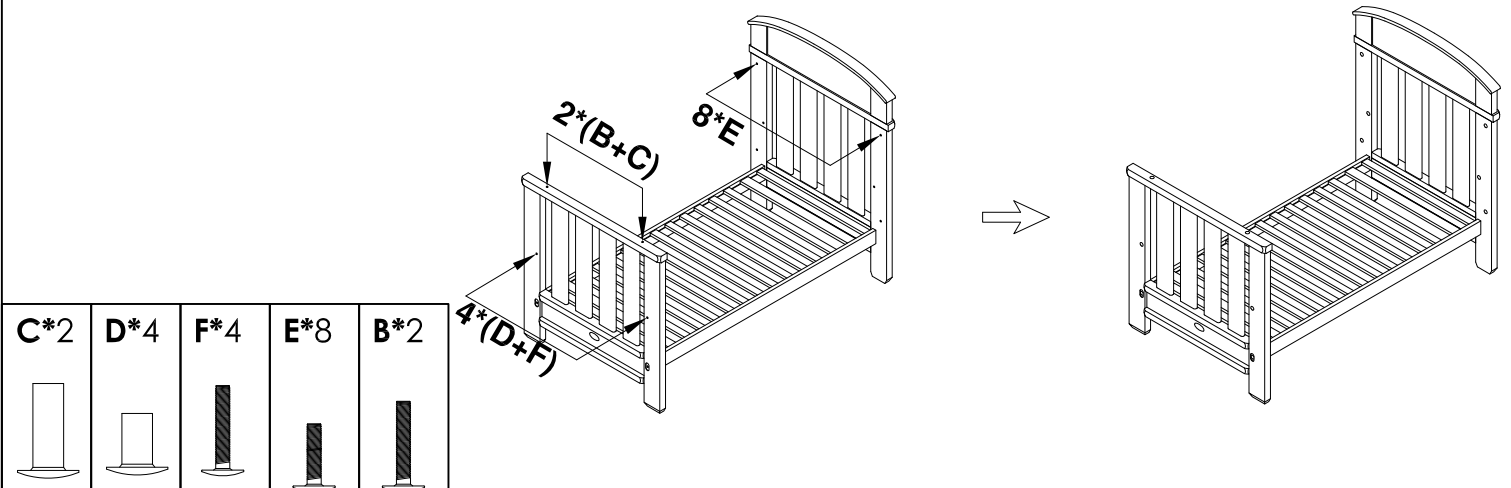


Stage 2: Remove headboard from one end panel.



Stage 3:

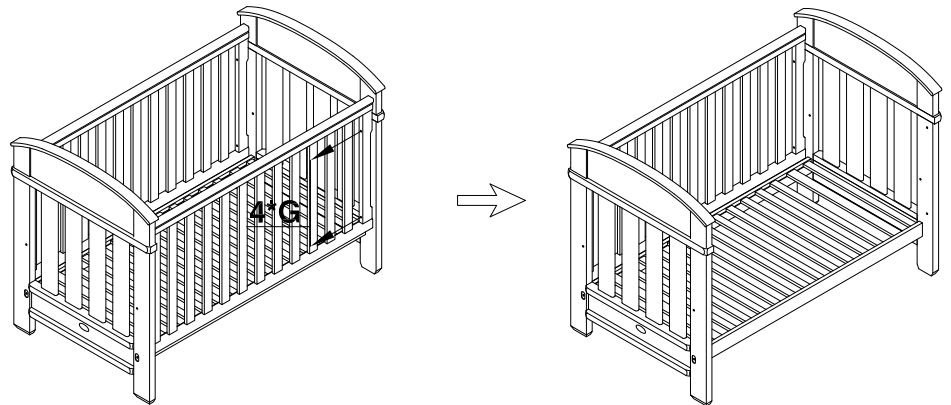
Block the top holes with the 2B、4*F connecting bolts and 2C、4*D capping nuts provided
Block remaining holes on two end panels with 8*E connecting bolts
Tighten all the connecting bolts (Do not over tighten)



Converting to the Day Bed

Stage 1:

Reposition the base to the lower position (bottom hole of end panels)
Screw all bolts loose and remove two fixed sides



Stage 2:

Remove two headboards from two end panels.



Stage 3:

Block the top holes with the 4*B 、4F connecting bolts and 4C、4*D capping nuts provided
Block remaining holes on the end panel with 4*E connecting bolts
Tighten all the connecting bolts (Do not over tighten)

